

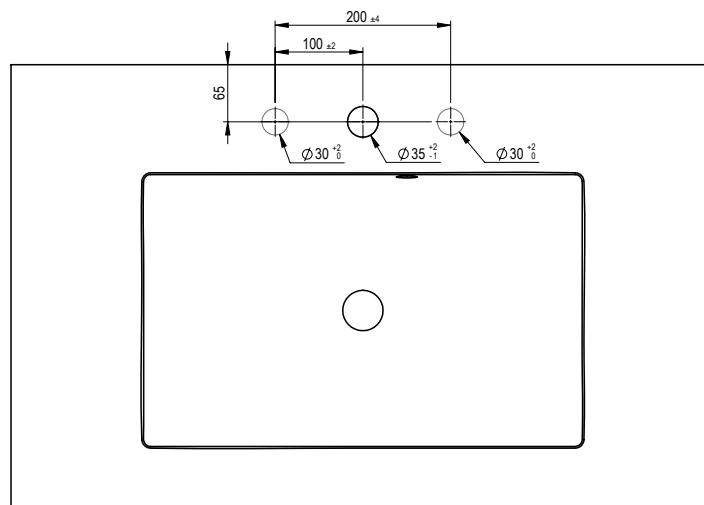
ORDER FORM

3-holes fixtures for Custom, Shape, Unique and Form

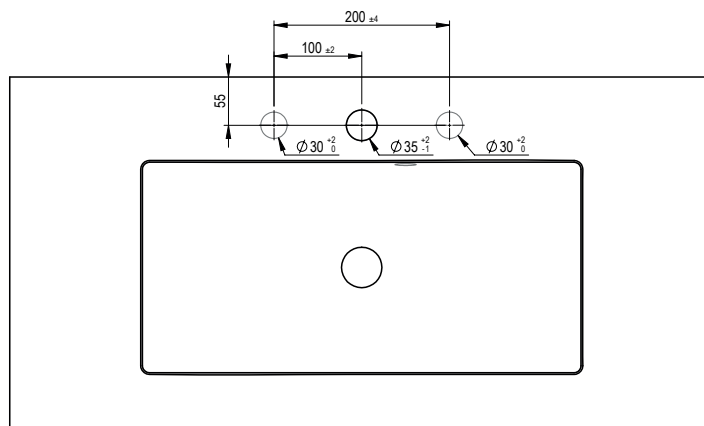
Customer:	Required supply date: (min. 6+ weeks)	Order no./Ref.:
Contact person:	Order date:	Order no. Dansani: (added by Dansani)

3-holes fixtures

3-holes fixtures holes for Custom to cabinets with a depth of 440 mm, and Shape, Form and Unique to cabinets with a depth of 500 mm



3-holes fixtures holes for Shape and Form to cabinets with a depth of 400 mm



Signature of acceptance Name/Company stamp