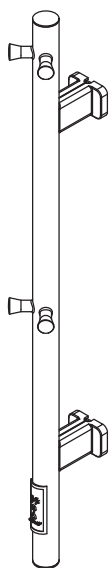
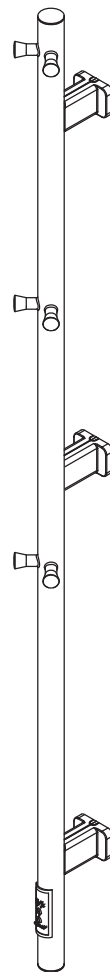




DANSANI®

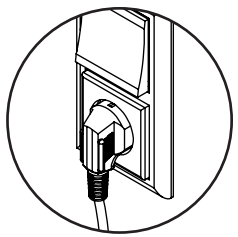
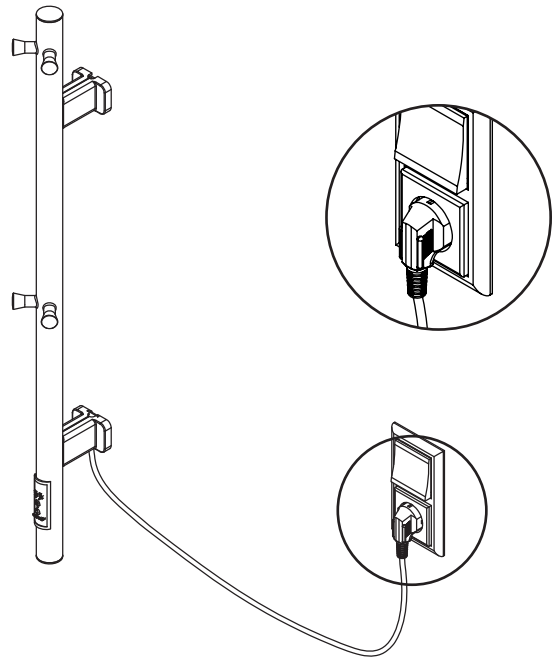
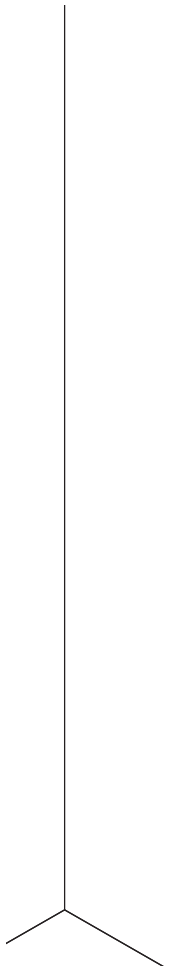


80

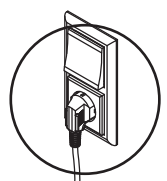


140

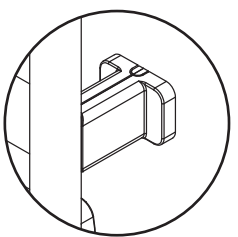
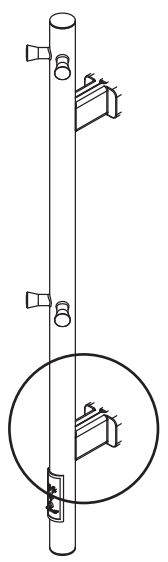
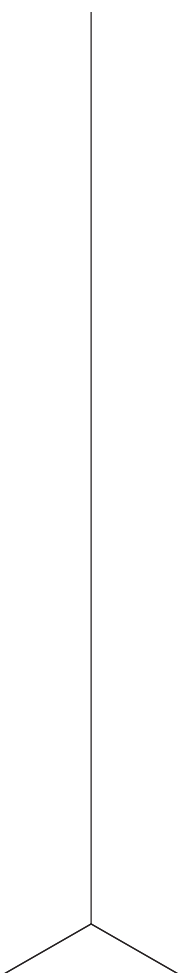
Zone 3 HD 60364-7-701



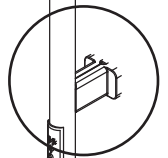
→ 1



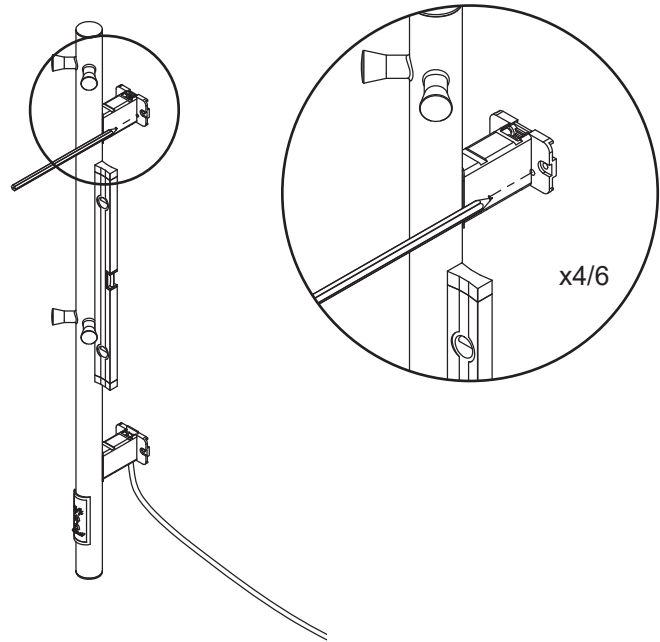
Zone 1-2-3 HD 60364-7-701



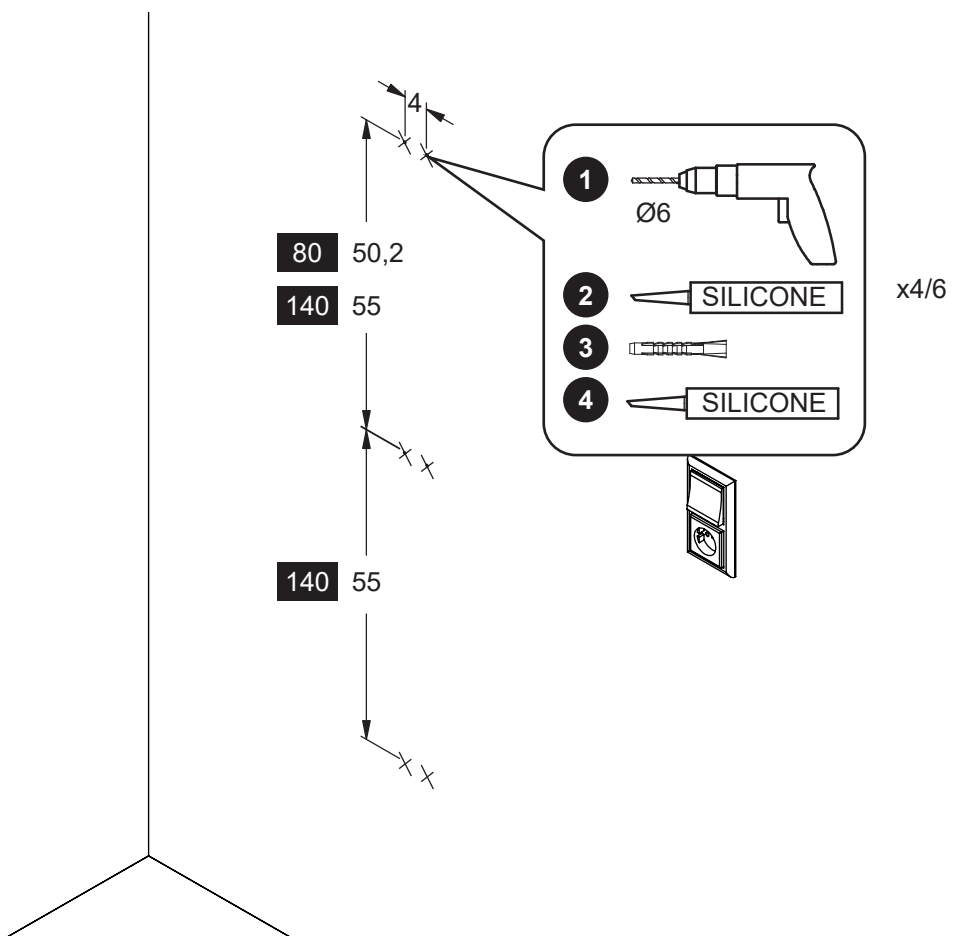
→ 5



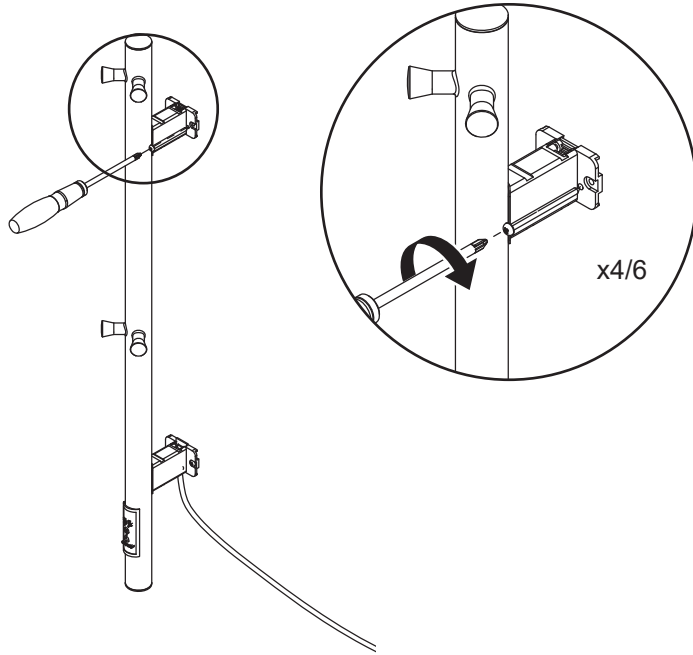
1



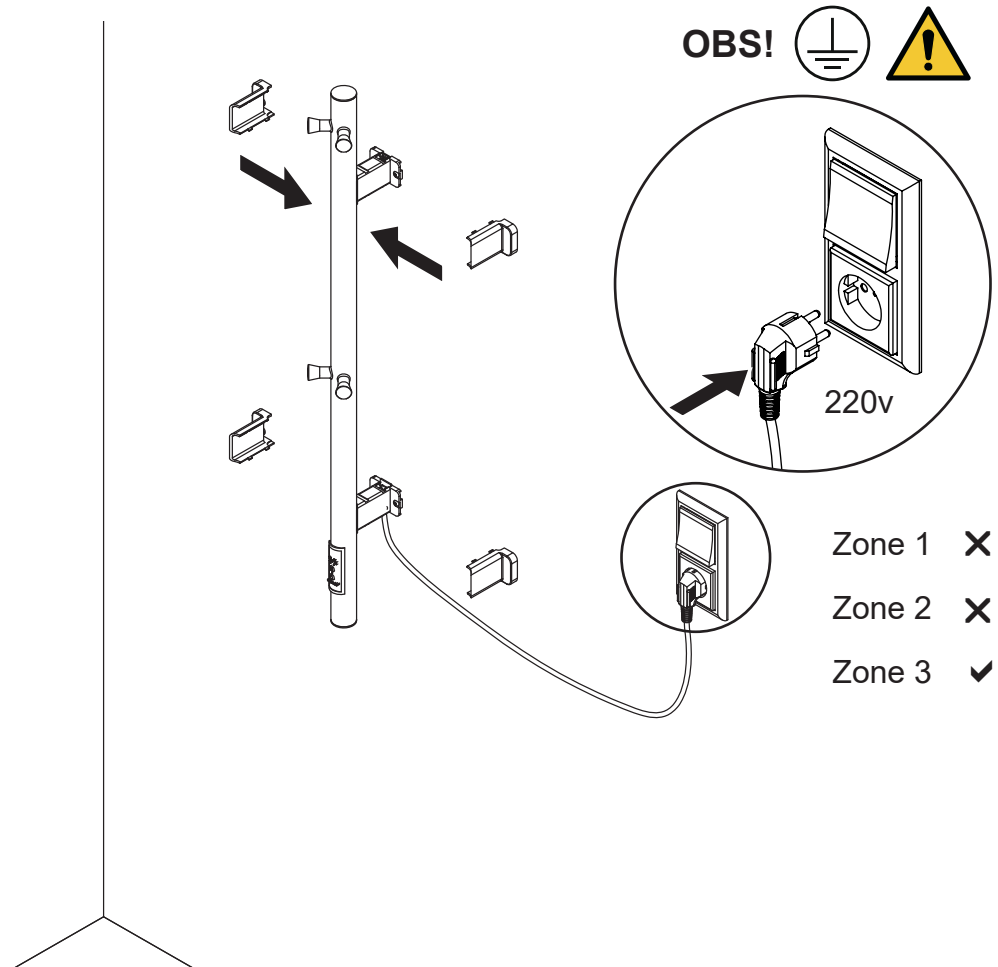
2



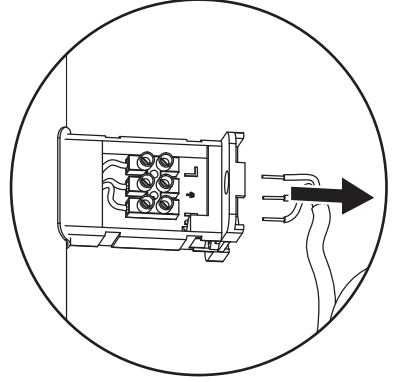
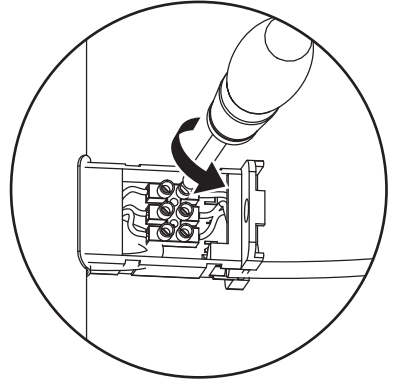
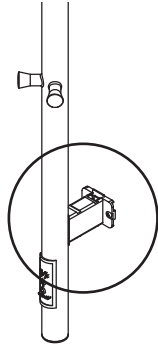
3



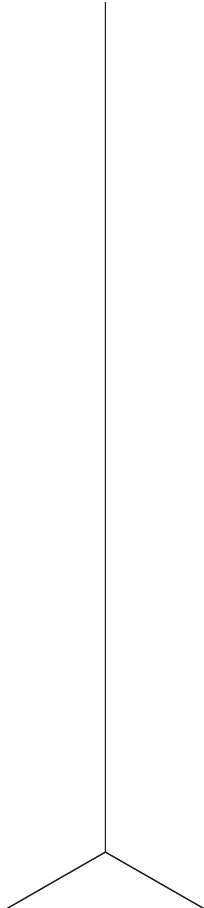
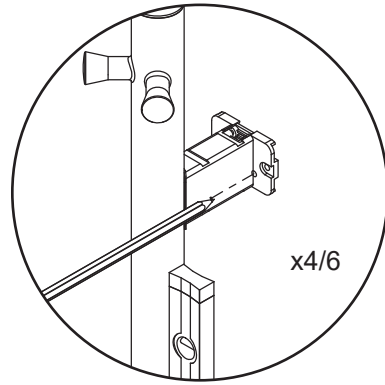
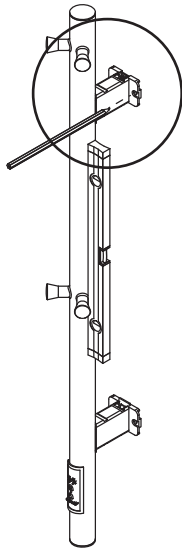
4



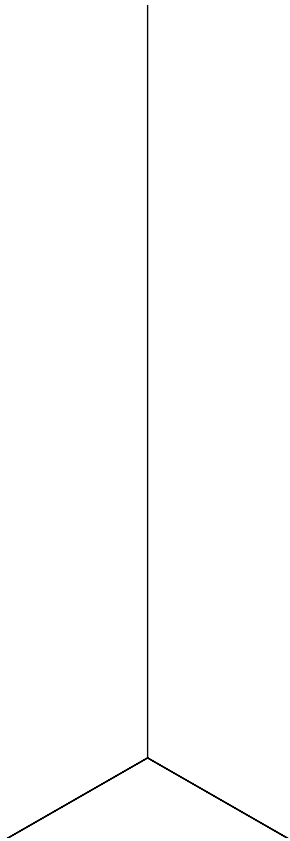
5



6



7



1 Ø6

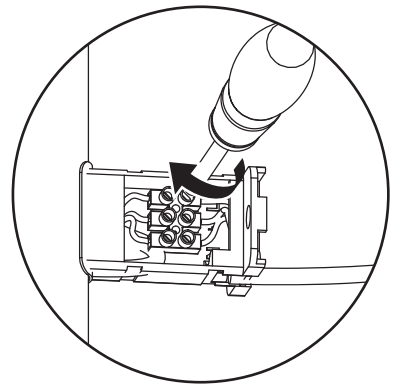
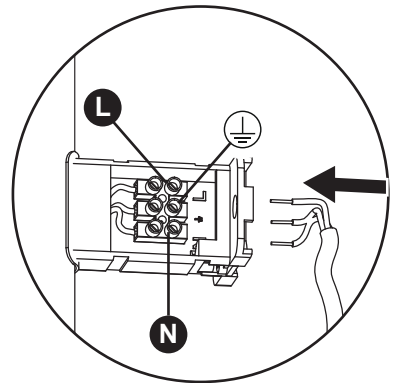
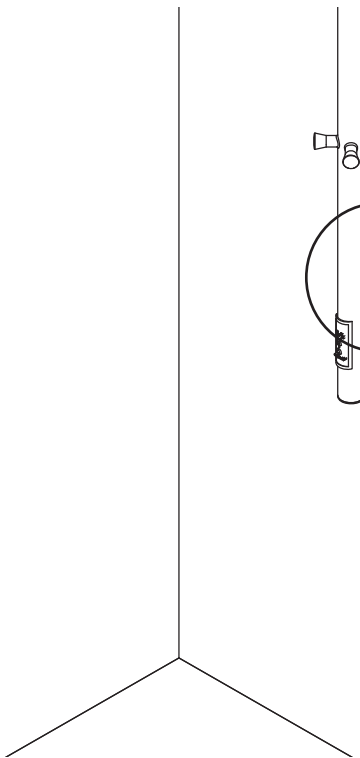
2 SILICONE

3

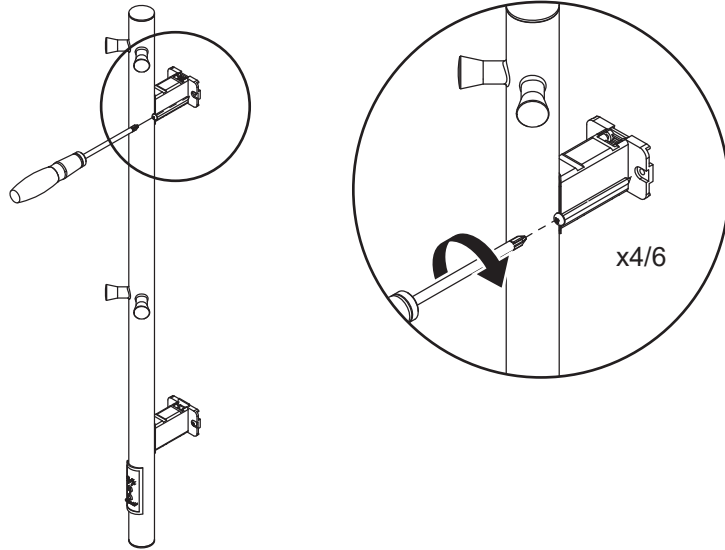
4 SILICONE

x4/6

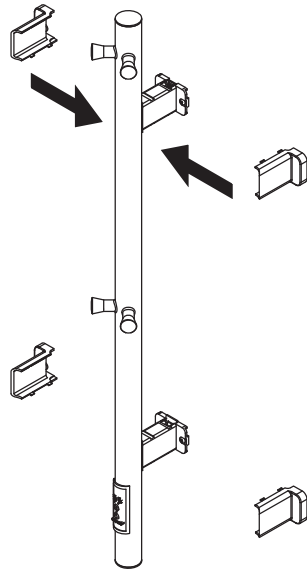
8



9



10



- Zone 1 ✓
- Zone 2 ✓
- Zone 3 ✓

