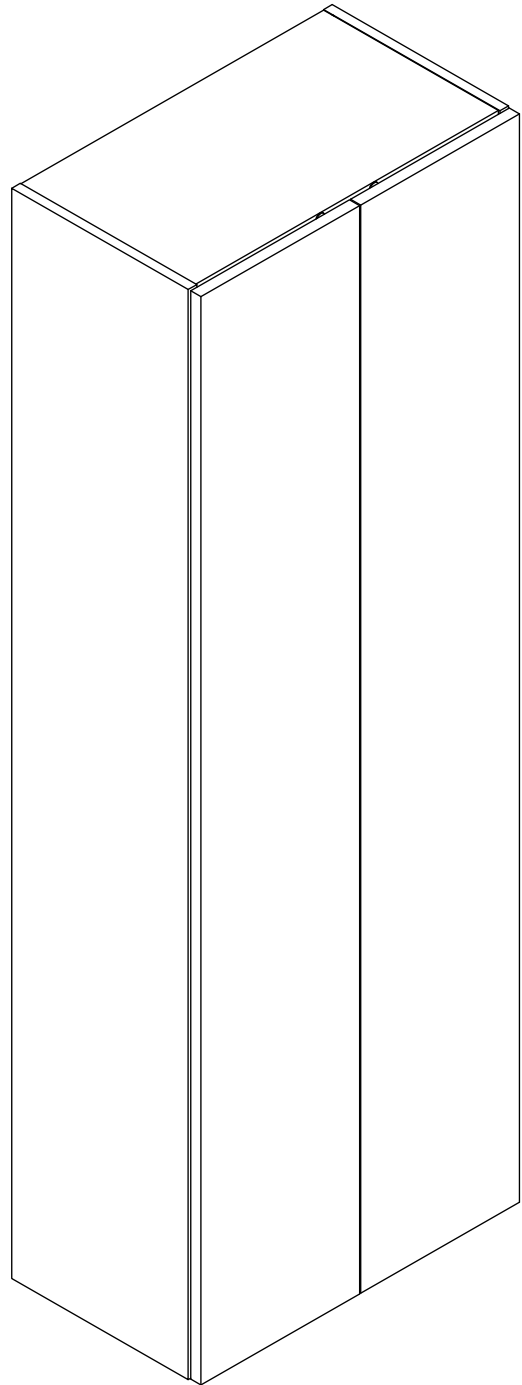
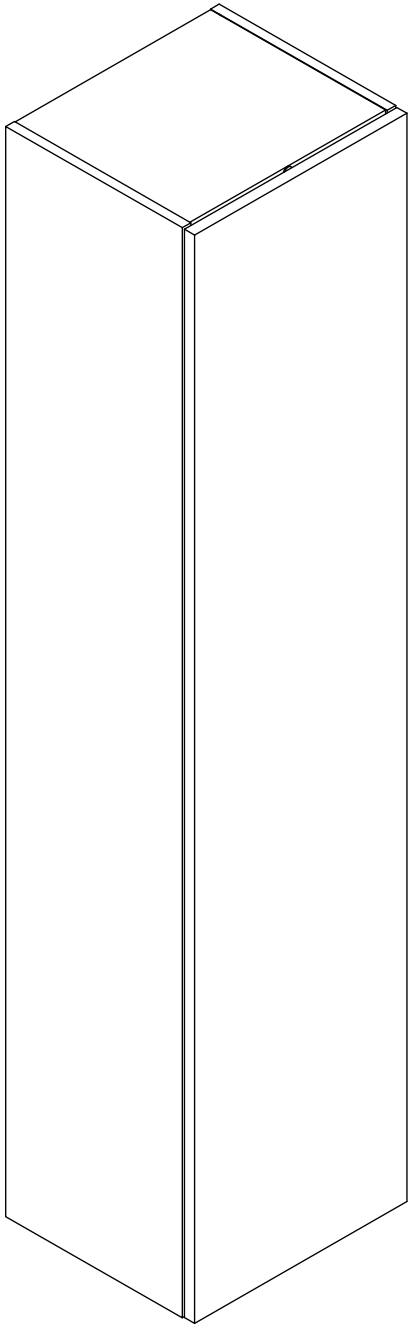
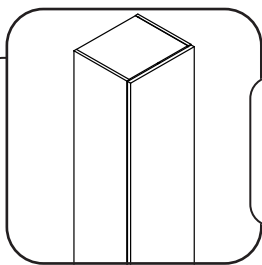




DANSANI
BATHROOM DESIGN





6x
5-500



6x
5,0-60SU



6x
390010067



4x
190300083



4x
3,5-20SU



4x
390010110



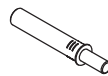
1x
190320150



2x
4,0-16LH



1x
190320152



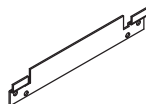
1x
190320154-2



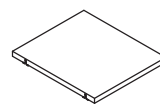
1x
190320154-3



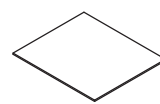
20x
415533



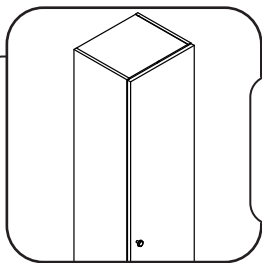
1x
5462x0046



1x
8549x15xx-70



2x/5x
8208x1501



6x
5-500



6x
5,0-60SU



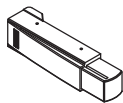
6x
390010067



4x
190300083



4x
3,5-20SU



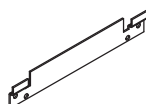
4x
190040610

0

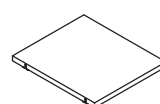
2x
19500000



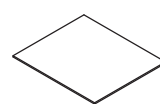
20x
415533



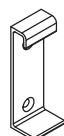
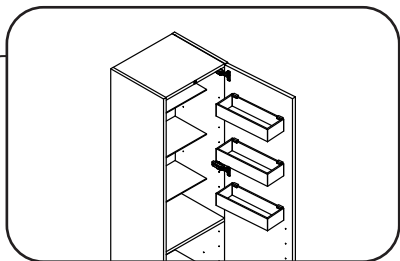
1x
5462x0046



1x
8549x15xx-70



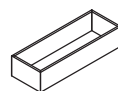
2x/5x
8208x1501



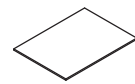
6x
545600047



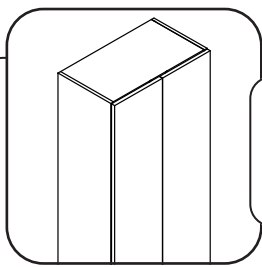
12x
4,0-15SU



3x
849000104



3x
8208x2501



6x
5-500



6x
5,0-60SU



6x
390010067



4x
190300083



8x
3,5-20SU



8x
390010110



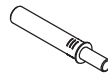
2x
190320150



4x
4,0-16LH



2x
190320152



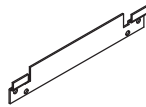
2x
190320154-2



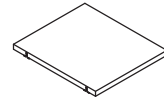
2x
190320154-3



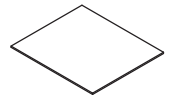
20x
415533



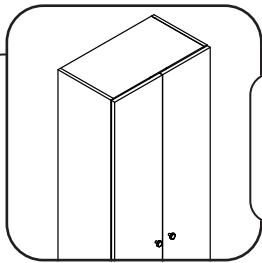
1x
546260046



1x
8549615xx-70



5x
820861501



6x
5-500



6x
5,0-60SU



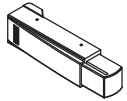
6x
390010067



4x
190300083



8x
3,5-20SU



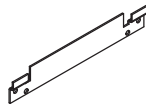
8x
190040610



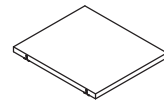
4x
19500000



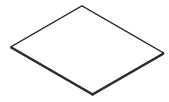
20x
415533



1x
546260046



1x
8549615xx-70






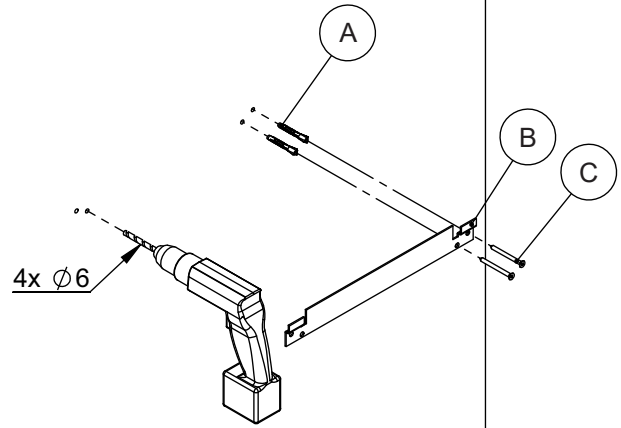
5x
820861501


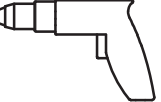



1



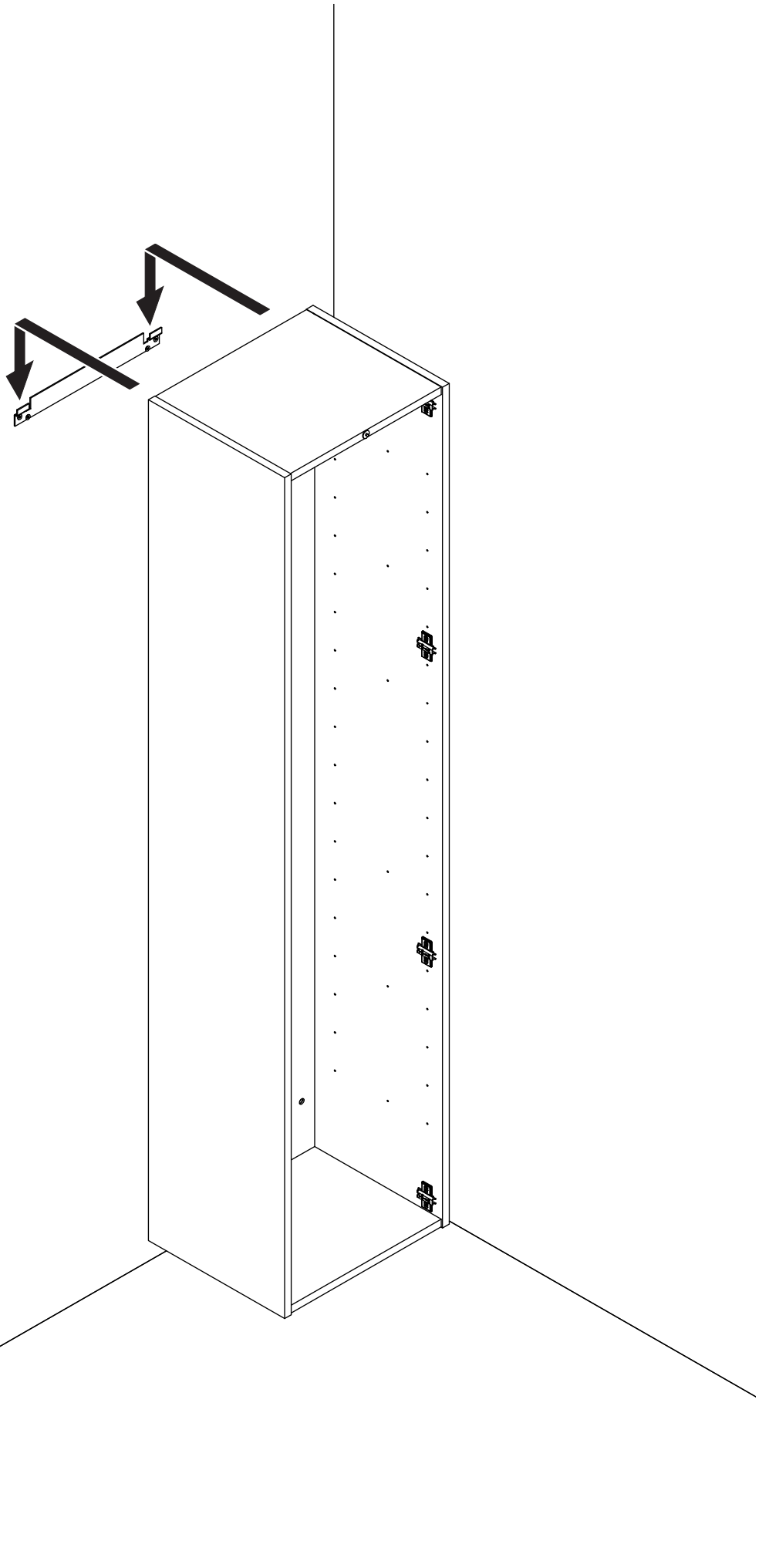
2

		
4x 5-500	1x 5462x0046	4x 5,0-60SU

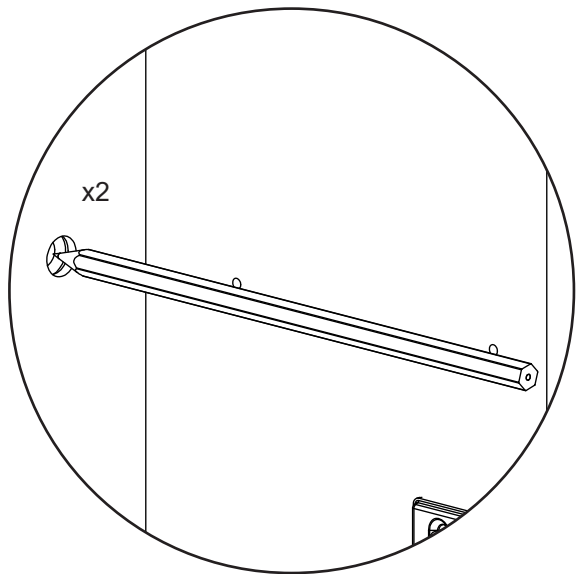
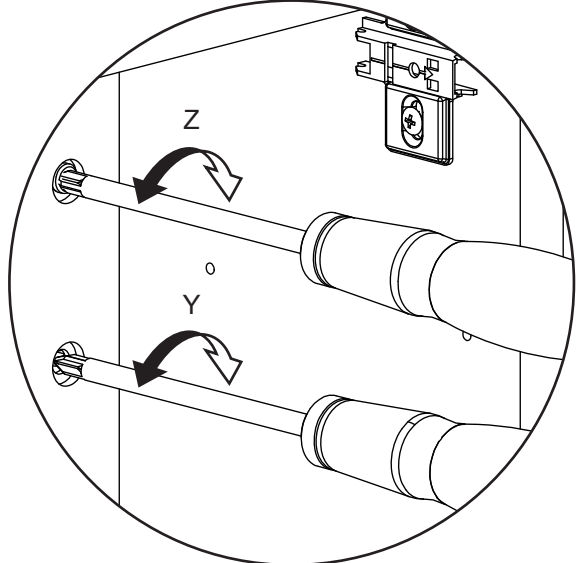
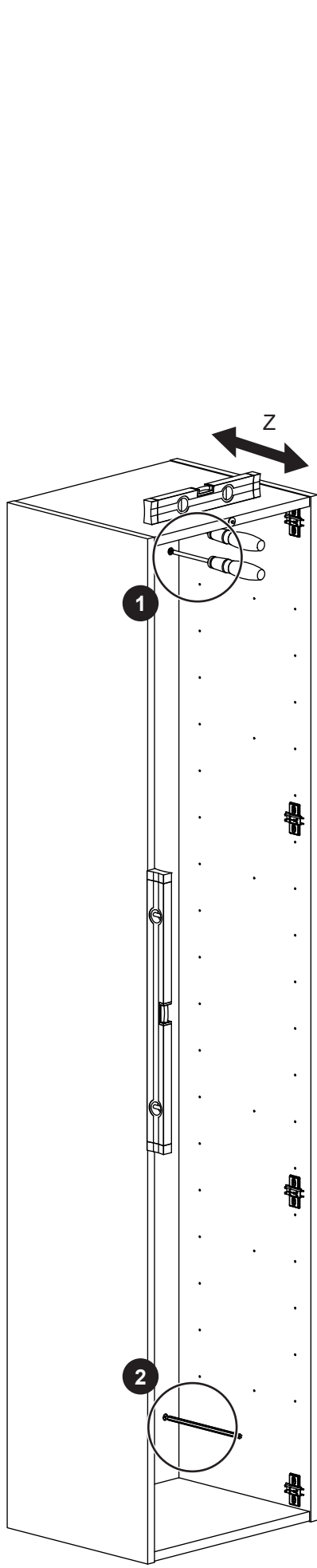


1		Ø6	
2		SILICONE	
3		A	
4		SILICONE	

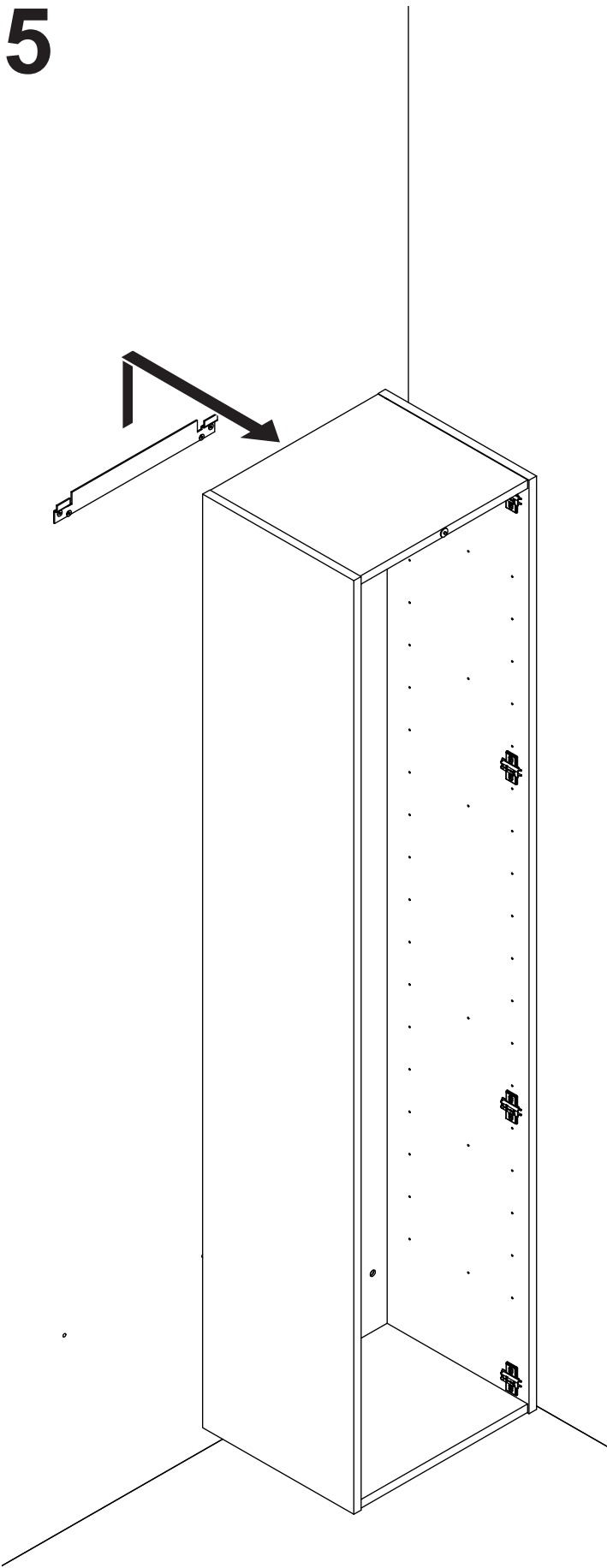
3



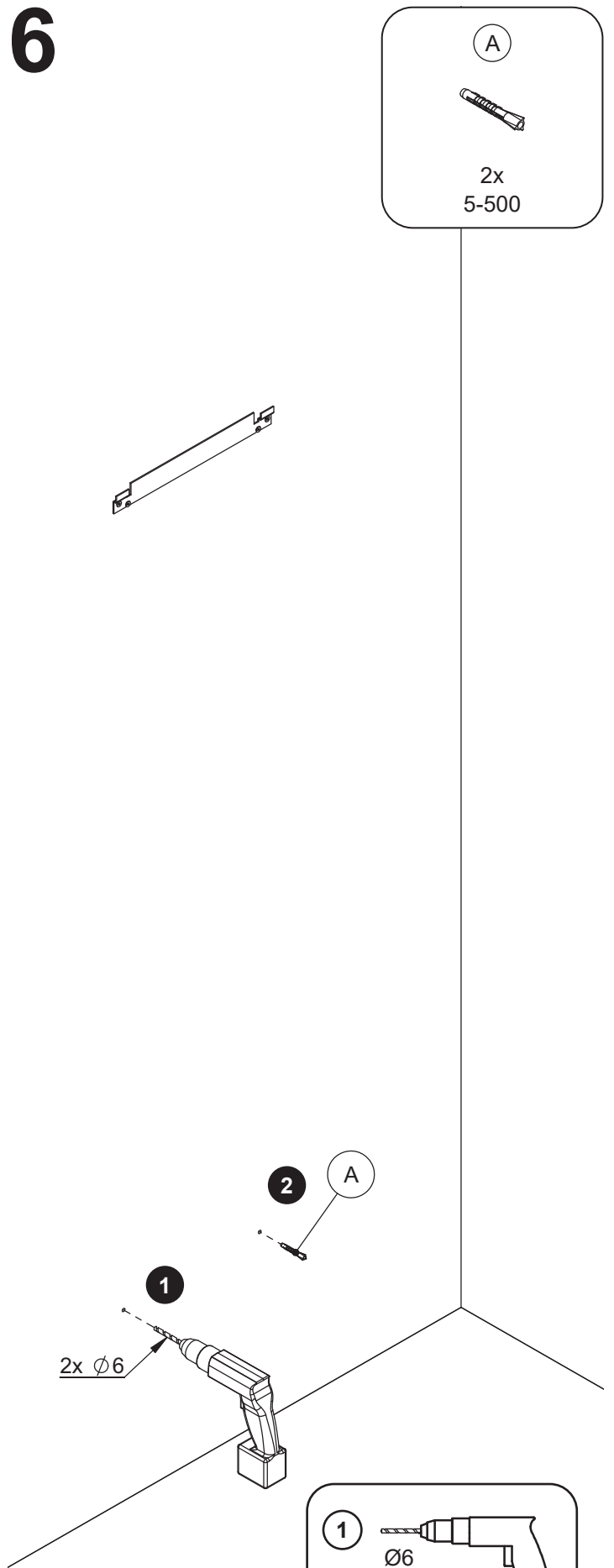
4

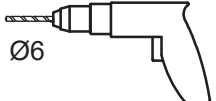





5

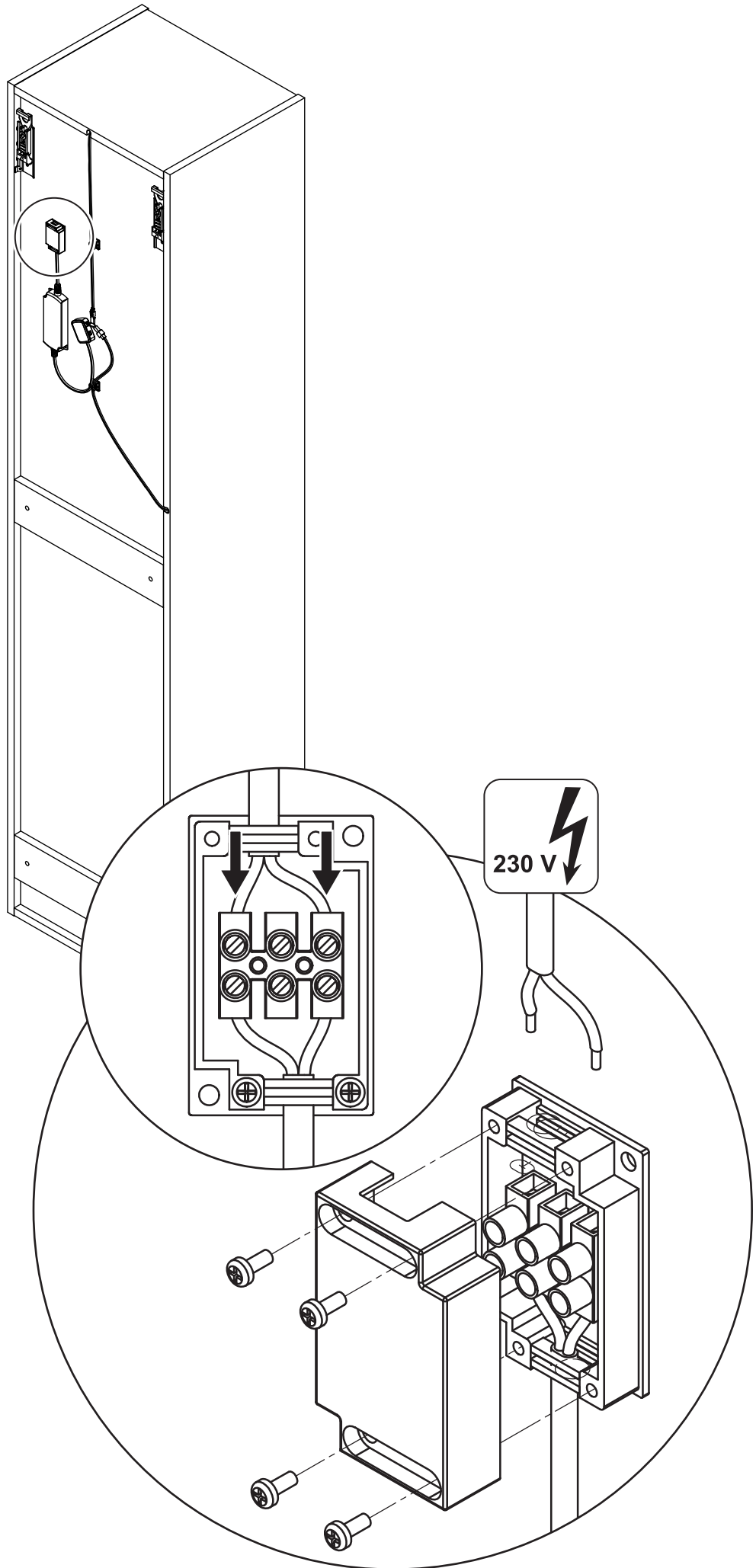


6

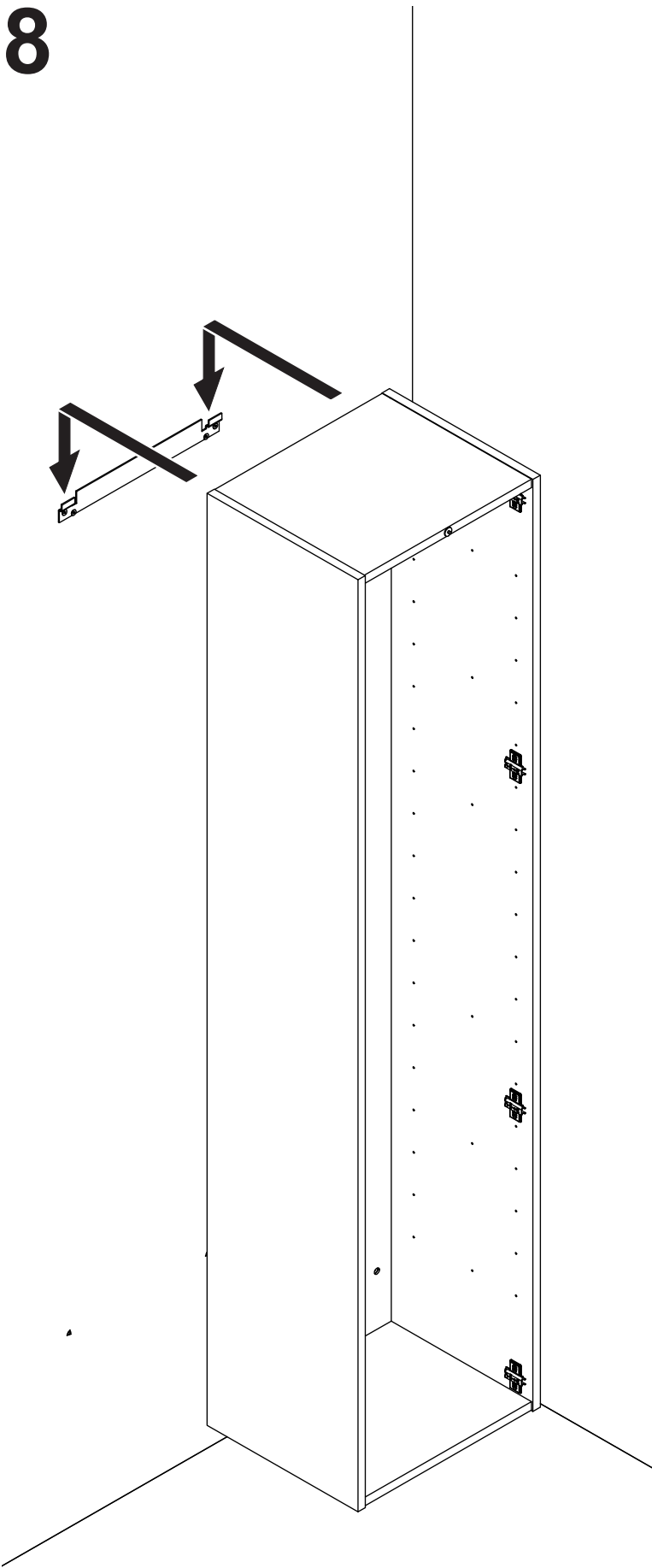


- | | |
|---|--|
| 1 |  |
| | Ø6 |
| 2 |  SILICONE |
| 3 |  A |
| 4 |  SILICONE |

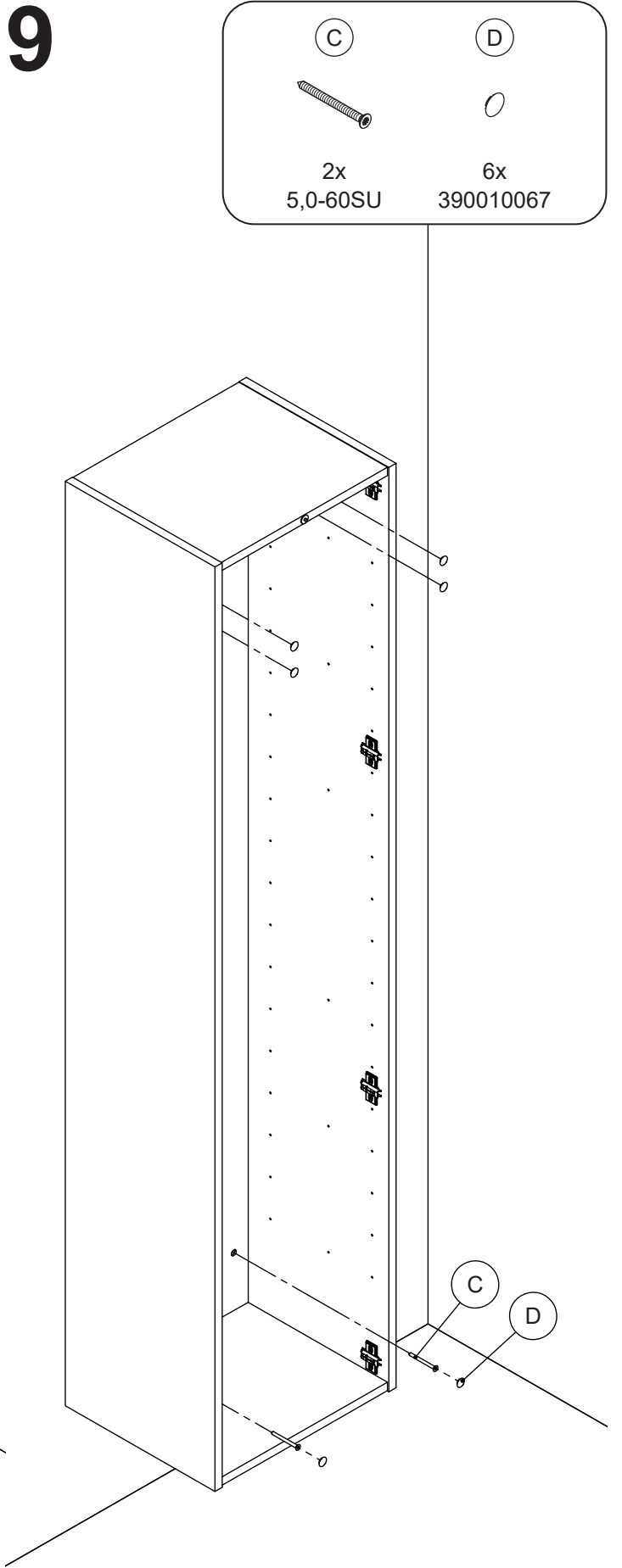
7



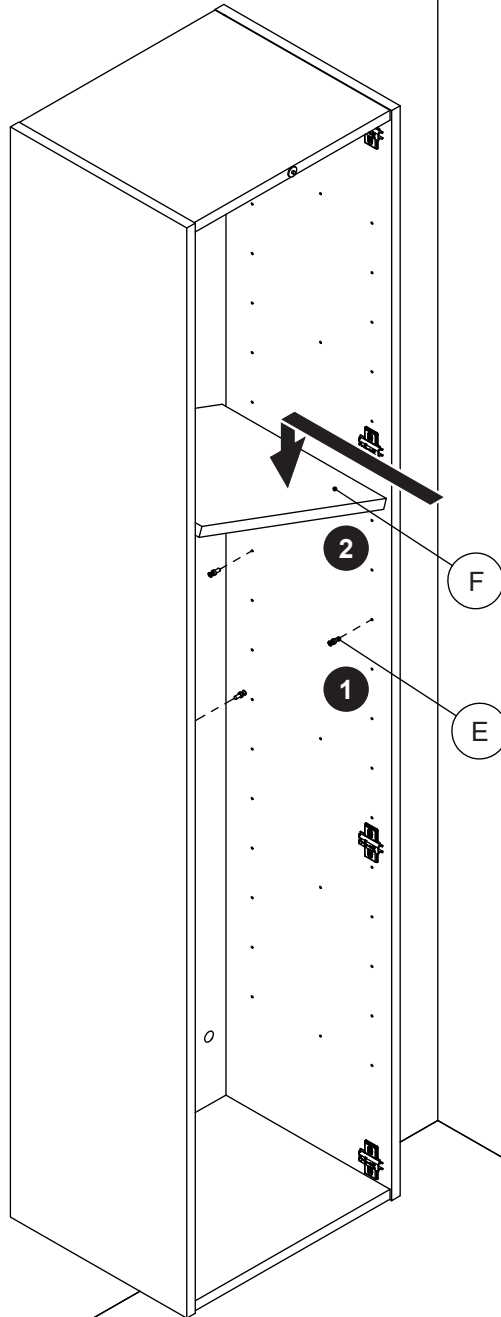
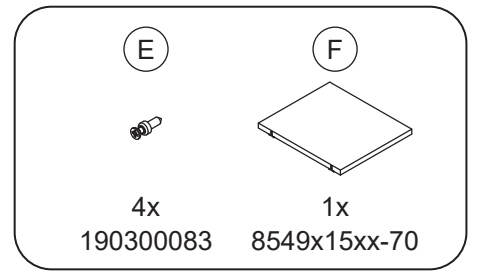
8



9



10

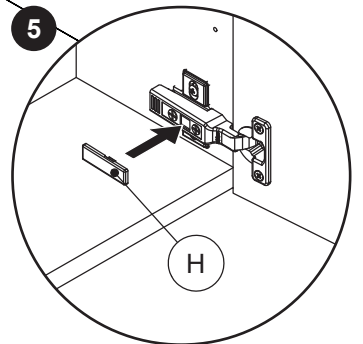
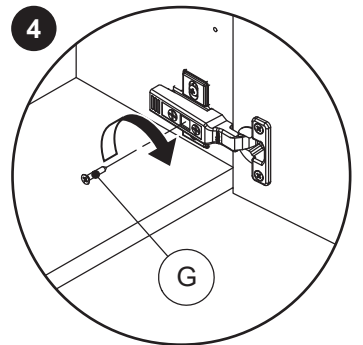
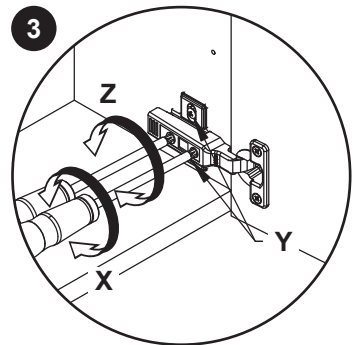
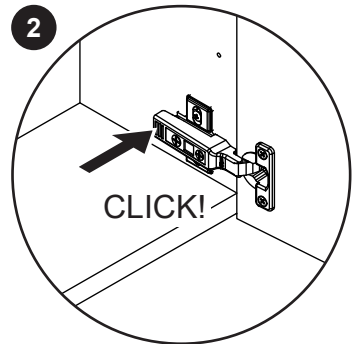
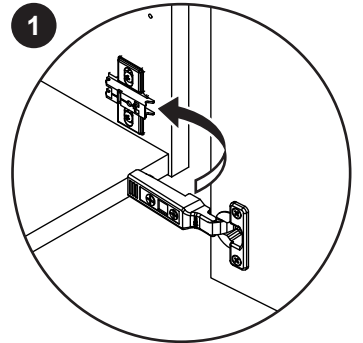
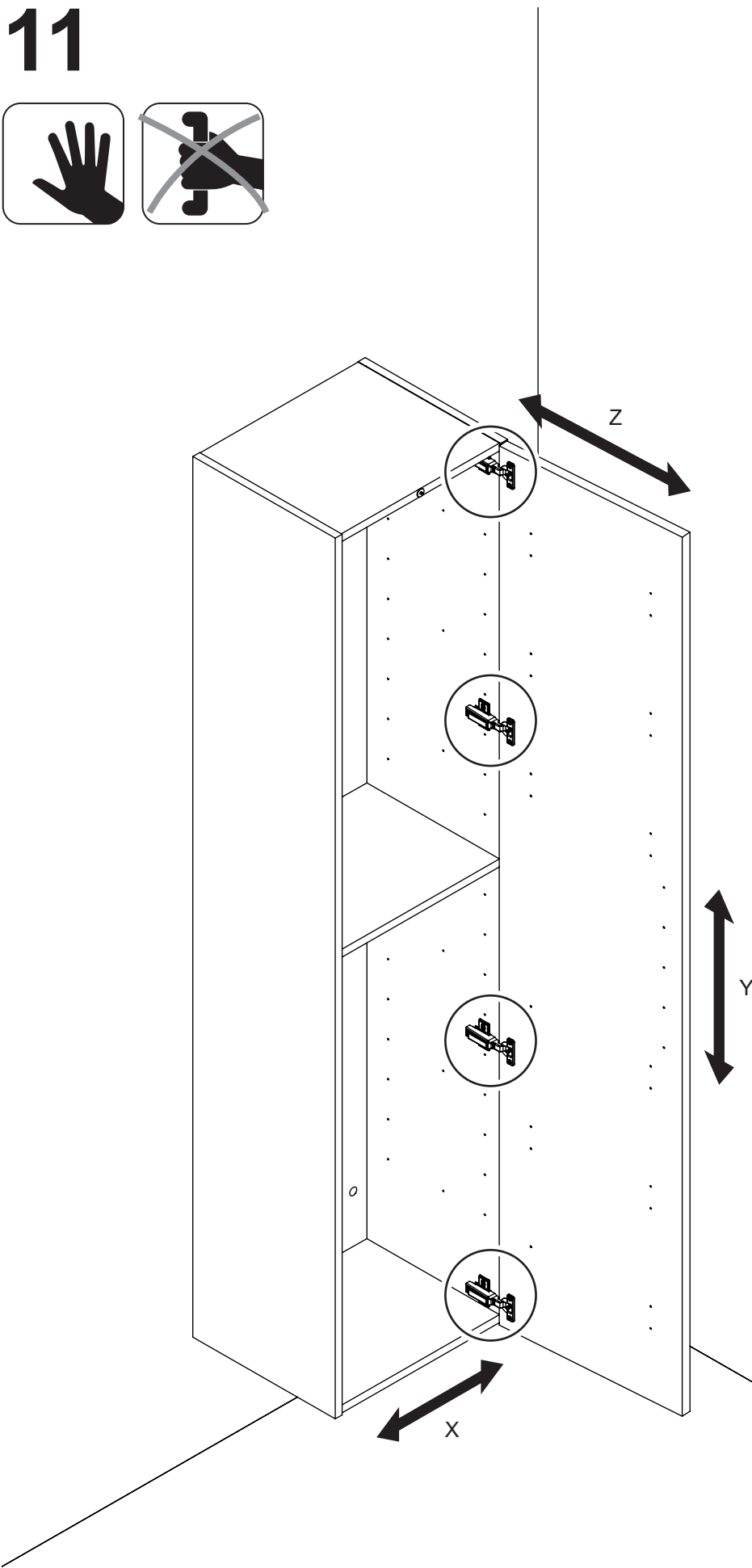
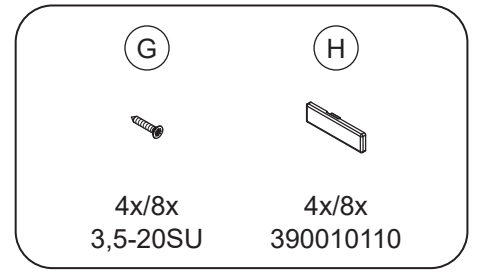


→ 11








→ 13

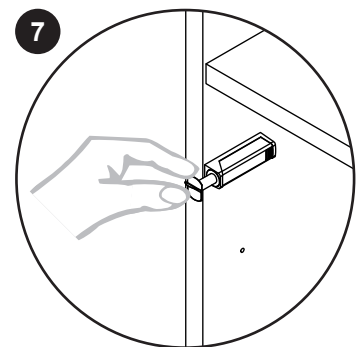
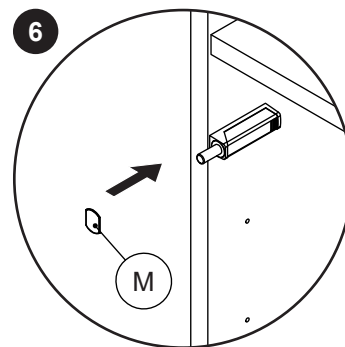
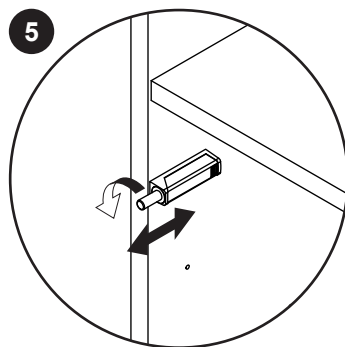
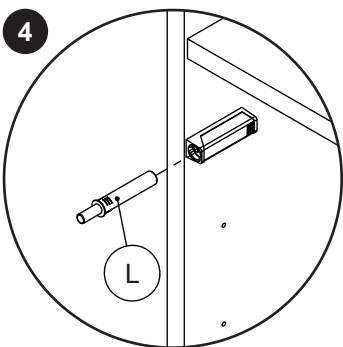
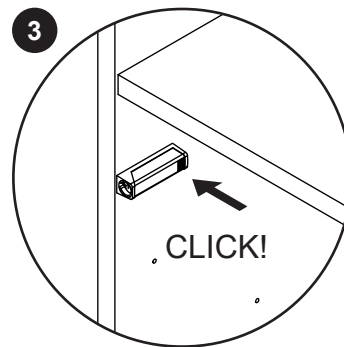
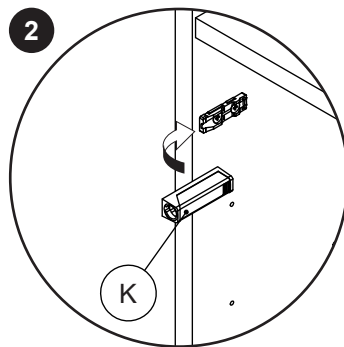
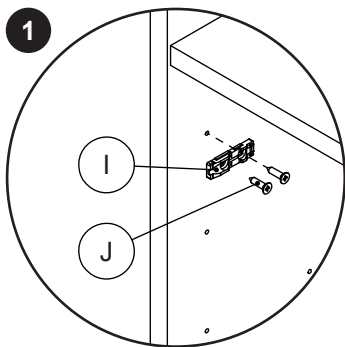
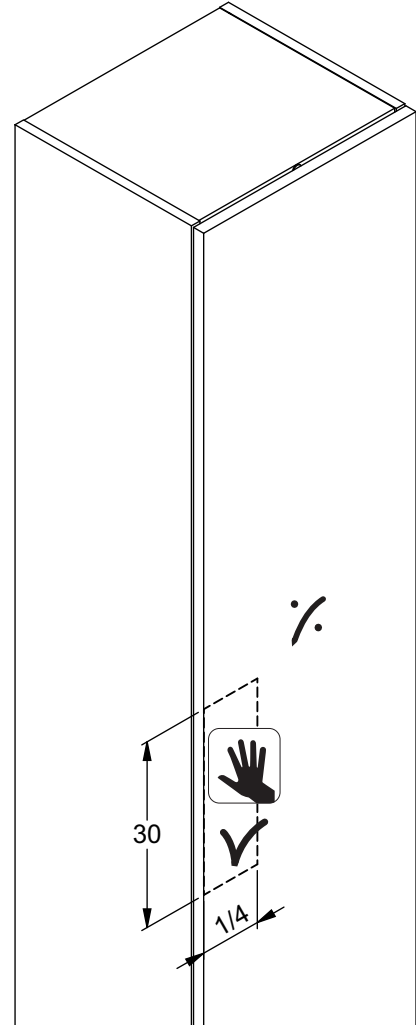
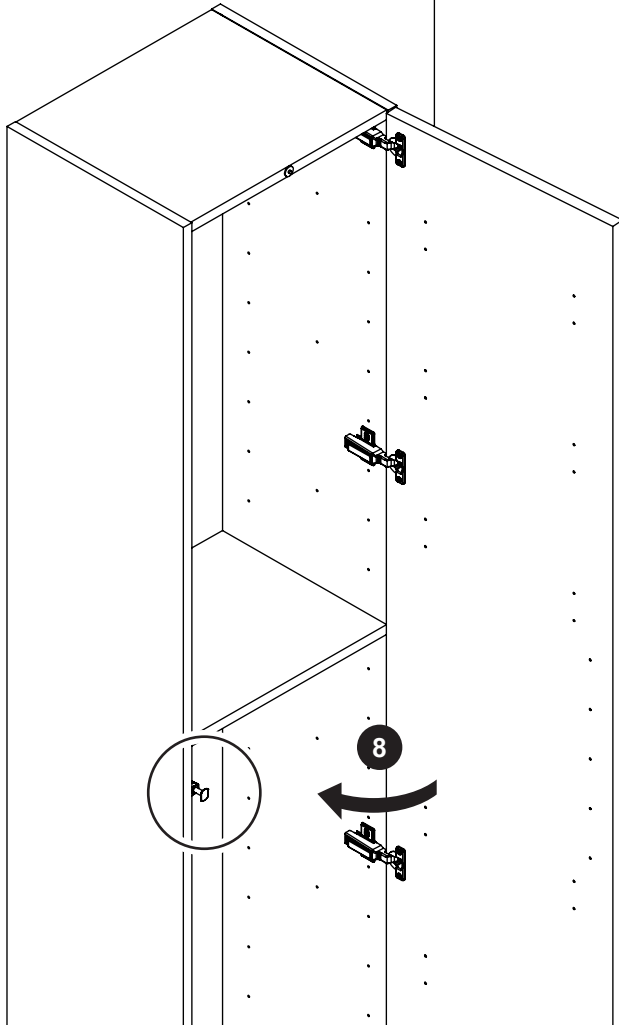
11



12A








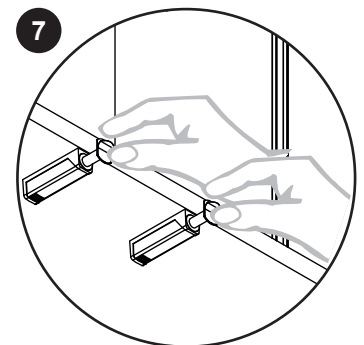
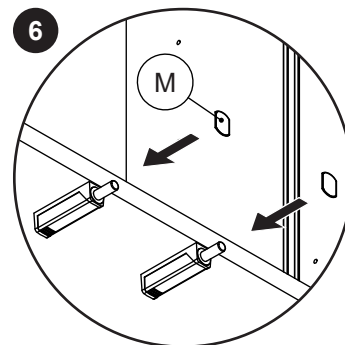
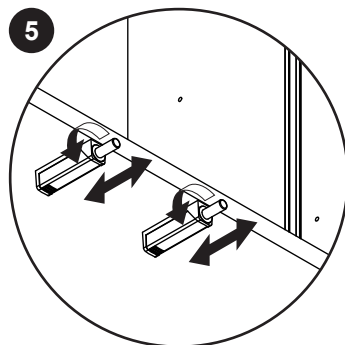
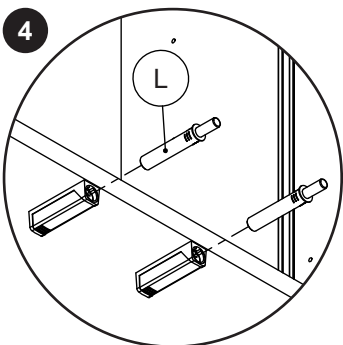
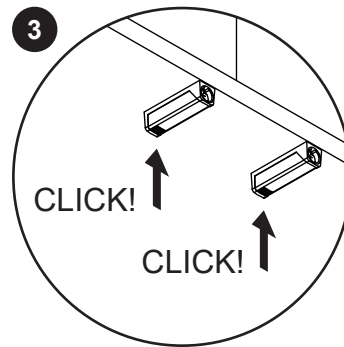
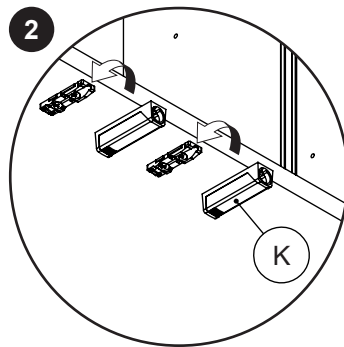
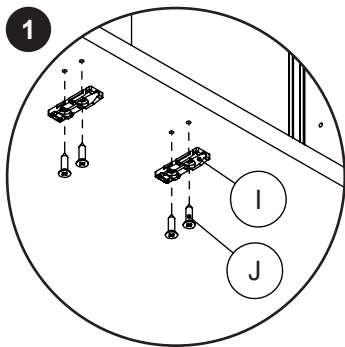
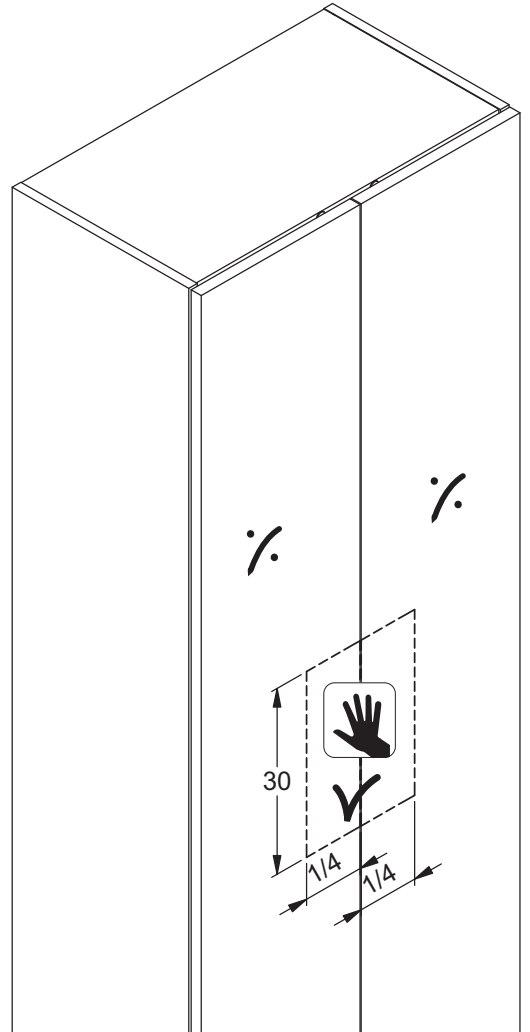
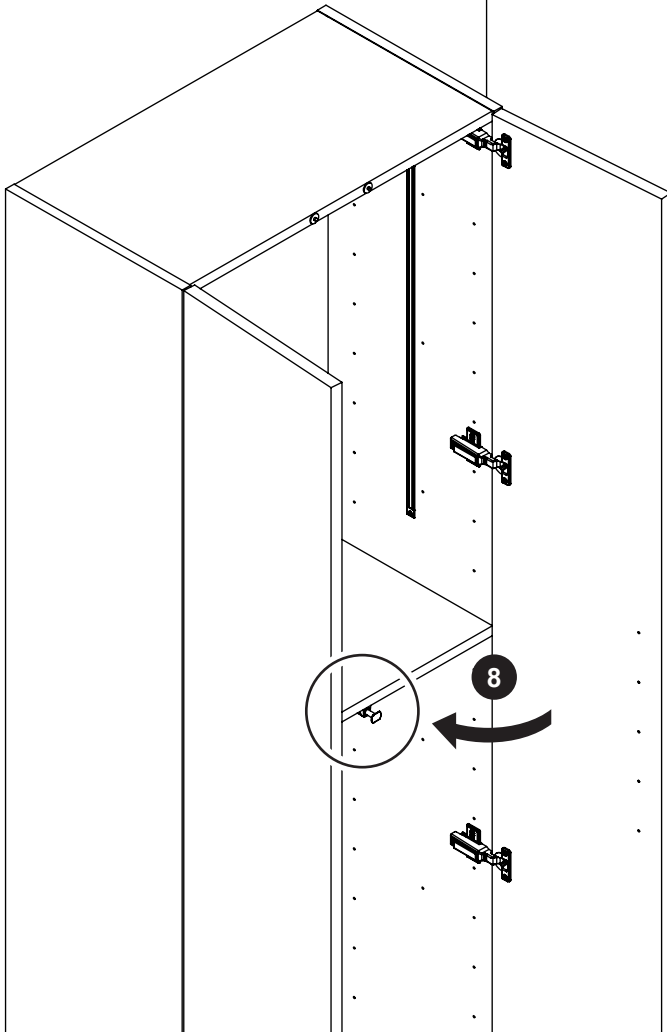
				
1x 190320150	2x 4,0-16LH	1x 190320152	1x 190320154-2	1x 190320154-3



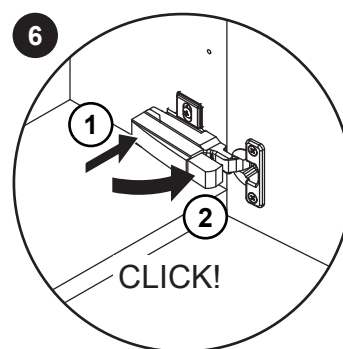
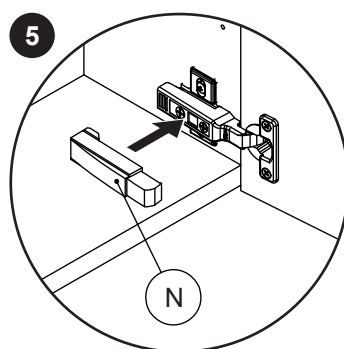
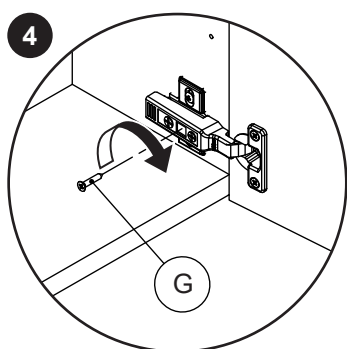
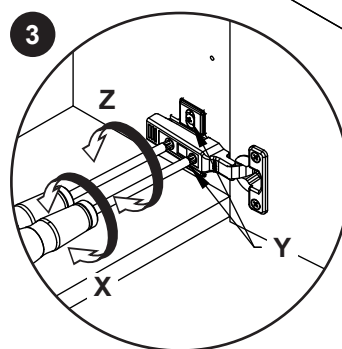
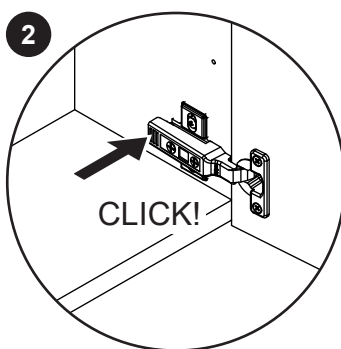
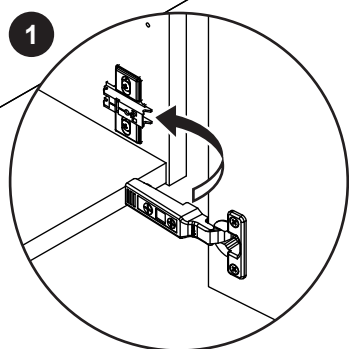
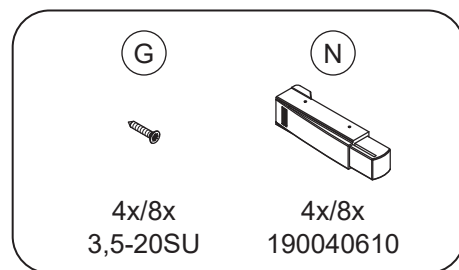
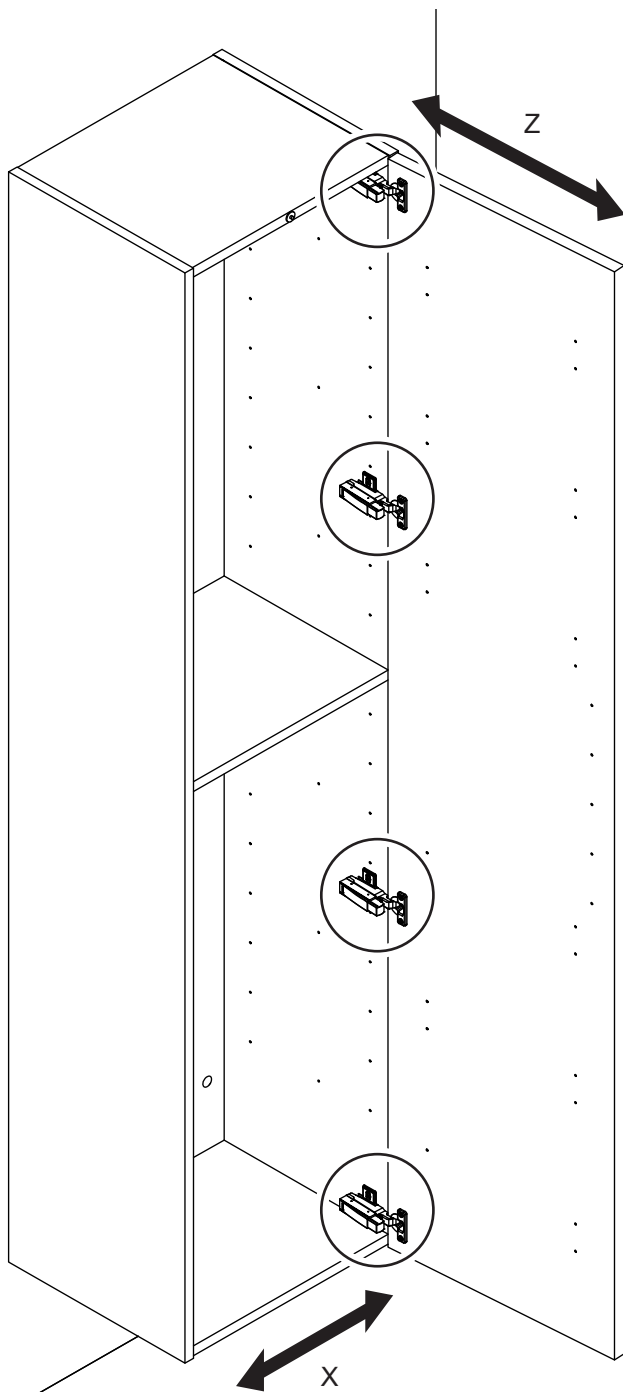
12B



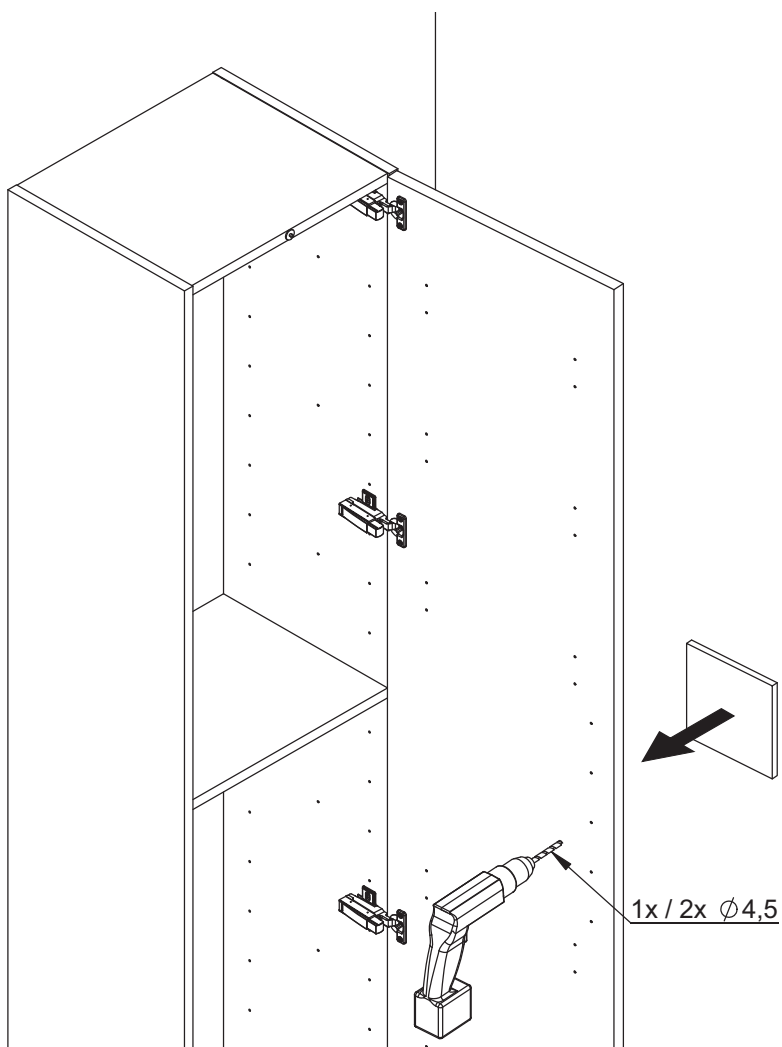
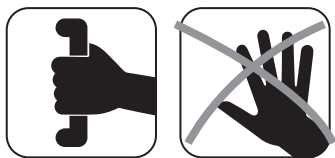
				
2x 190320150	4x 4,0-16LH	2x 190320152	2x 190320154-2	2x 190320154-3



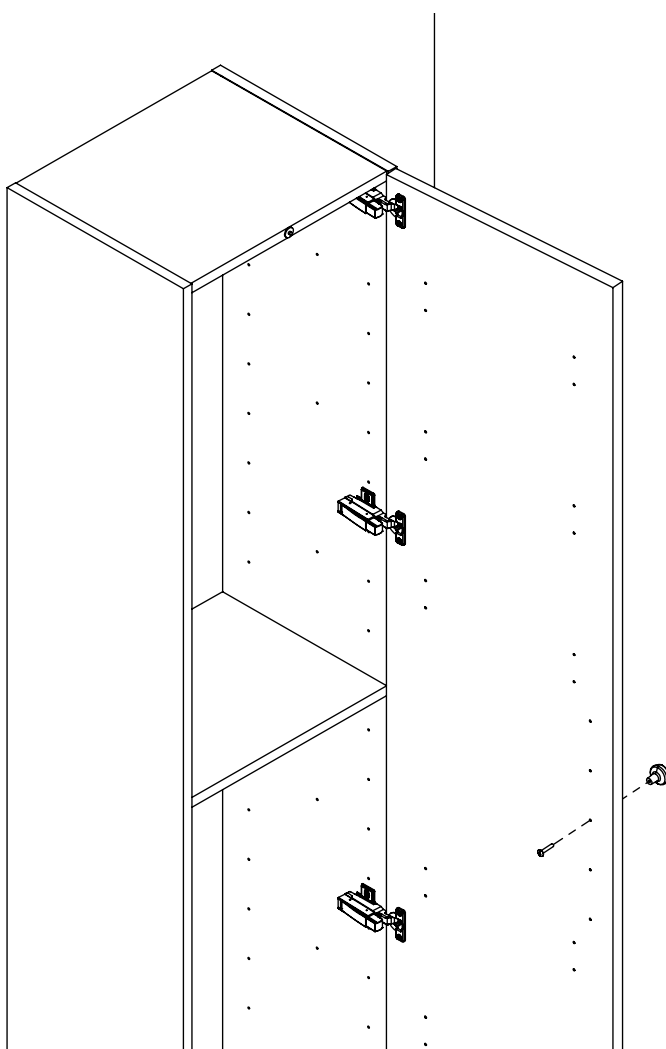
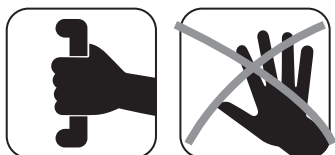
13



14A



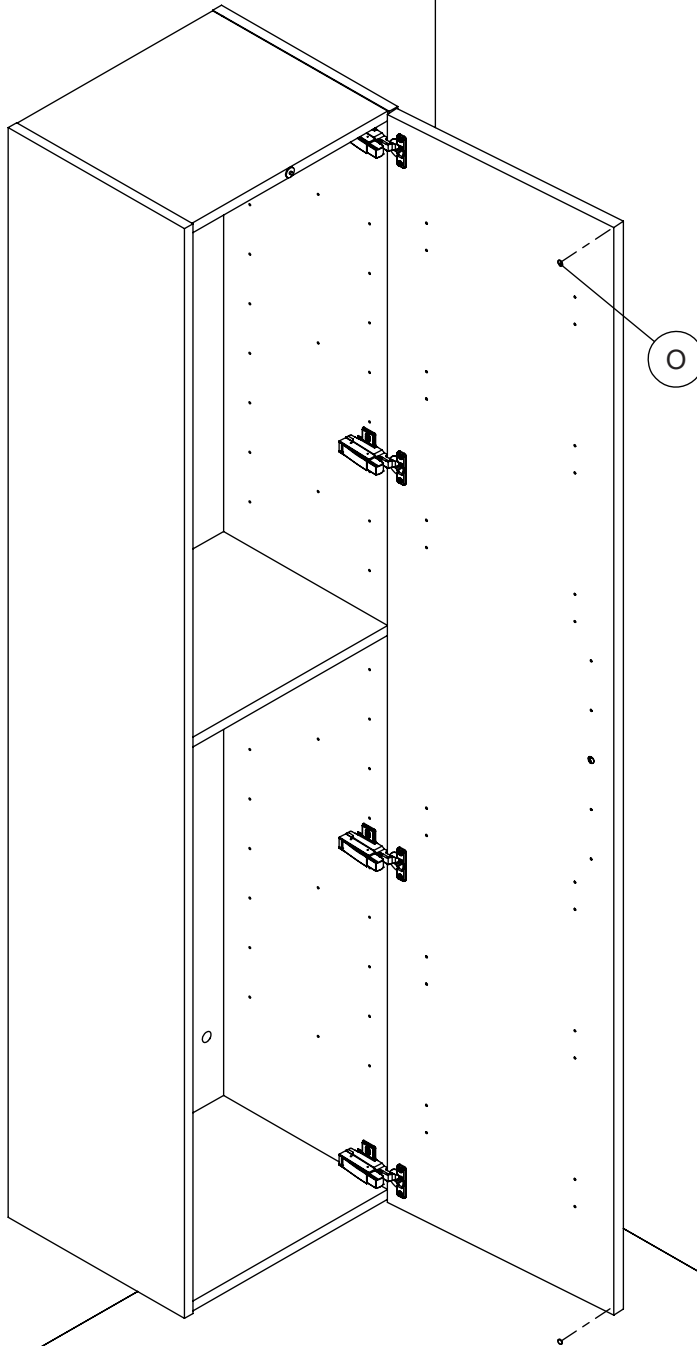
14B






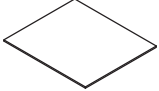
15

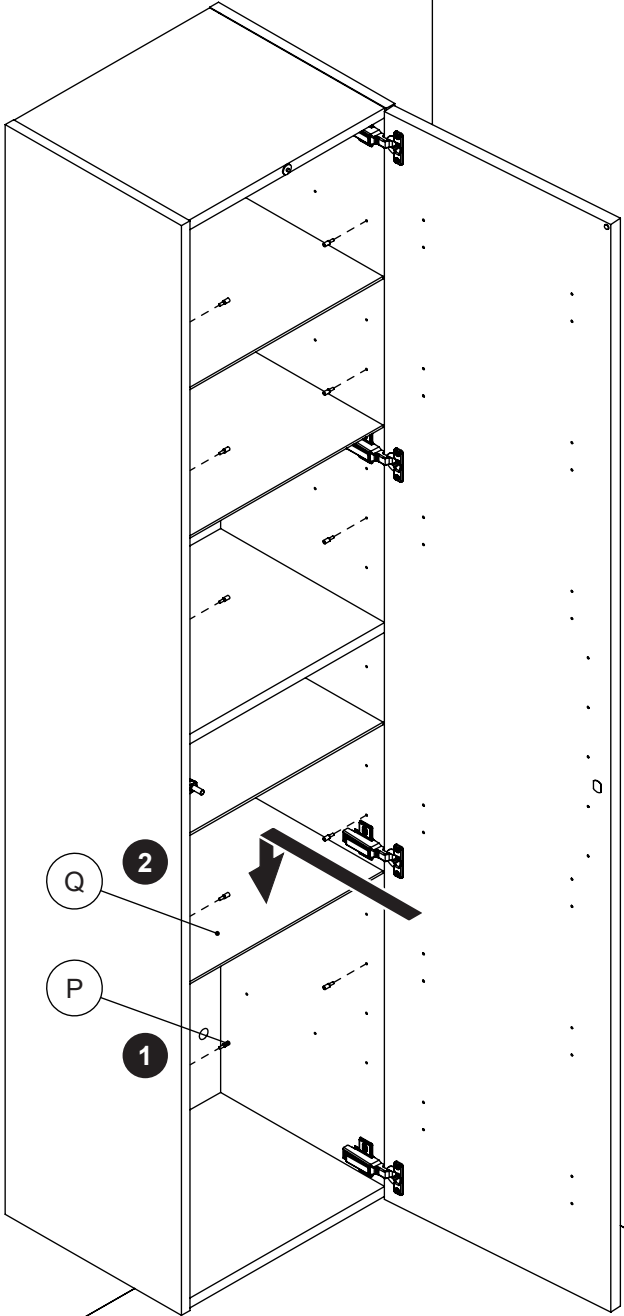


○
○
2x
1950000

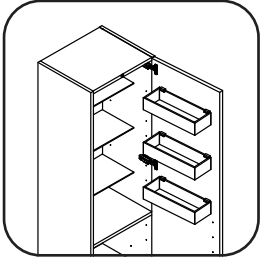



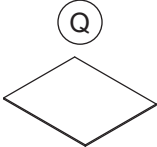
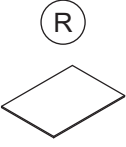
16A

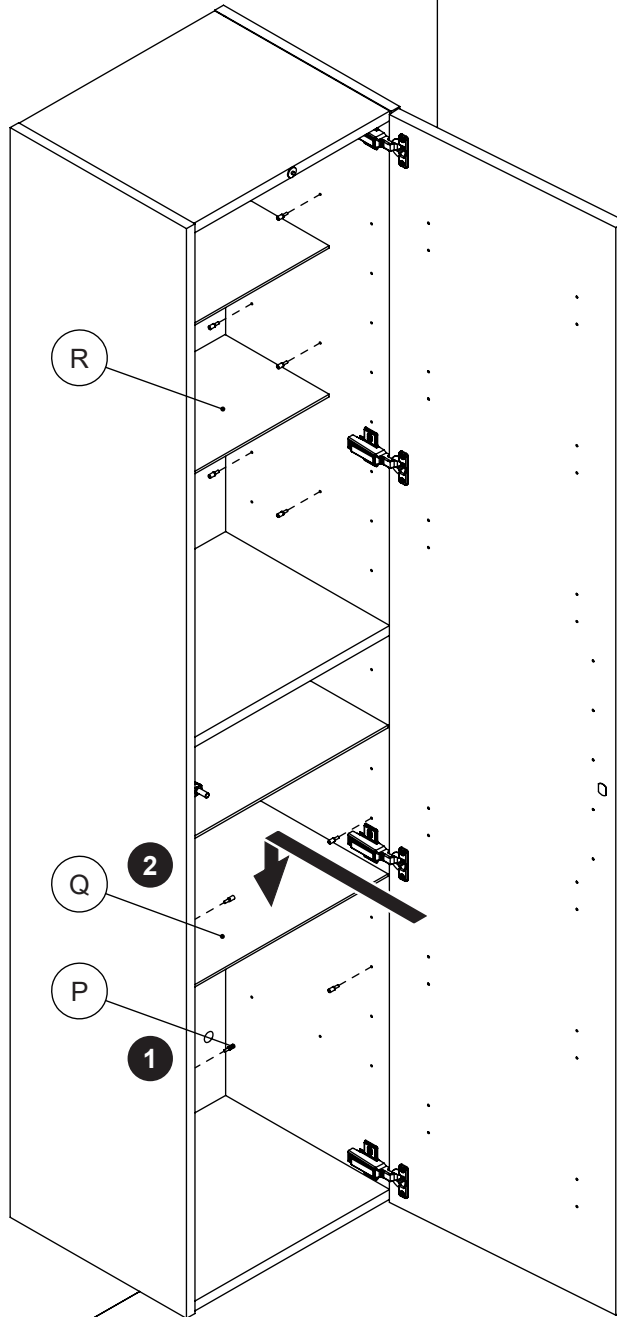
 P	 Q
	
20x 415533	5x 8208x1501



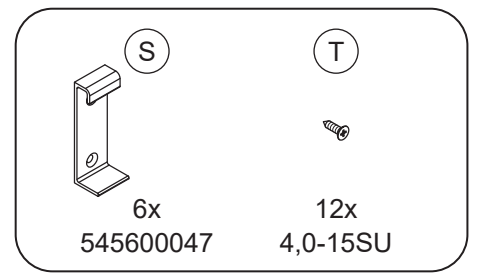
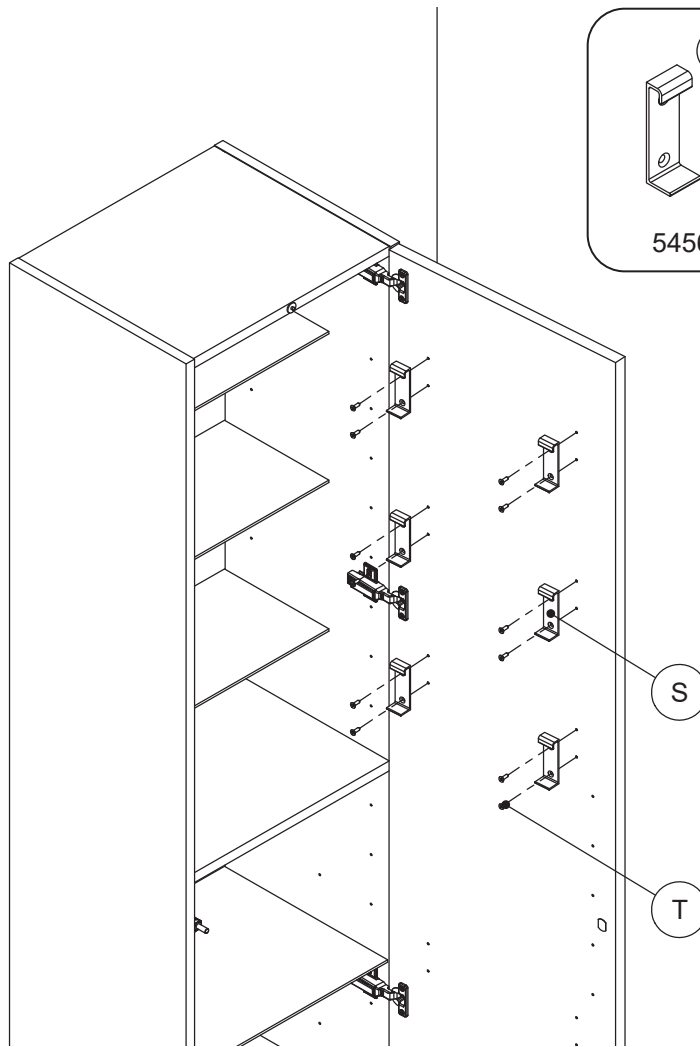
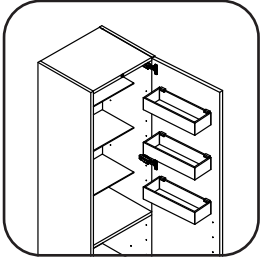
16B



		
20x 415533	2x 8208x1501	3x 8208x2501



17A



17B

