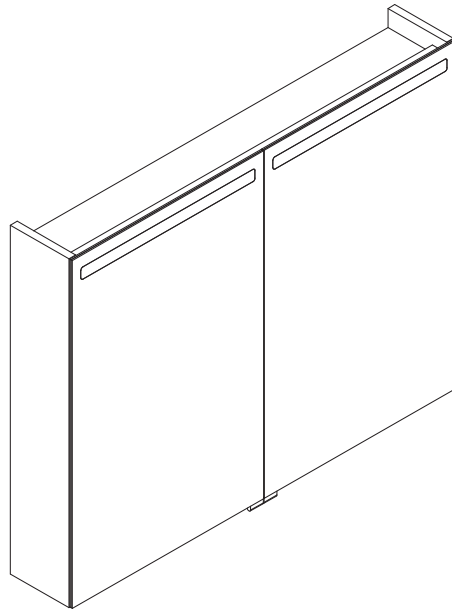
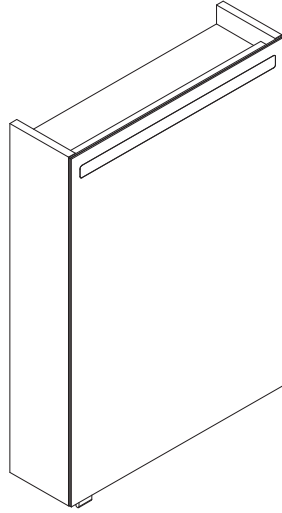
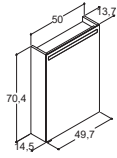




**DANSANI**  
DANISH BATHROOM DESIGN





6x  
5-500



2x  
390010190



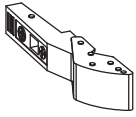
6x  
5,0-60SU



6x  
390010067



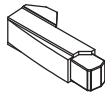
8x  
415533



2x  
190040240



2x  
3,5-20SU



2x  
190040631



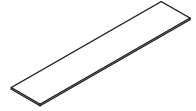
2x  
190040632



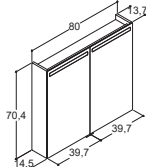
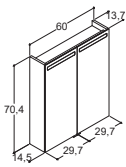
2x  
19500000



1x  
545800043



2x  
522851100



6x  
5-500



2x  
390010190



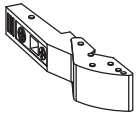
6x  
5,0-60SU



6x  
390010067



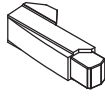
8x  
415533



4x  
190040240



4x  
3,5-20SU



2x  
190040631



2x  
190040632



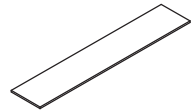
2x  
390010110



4x  
19500000






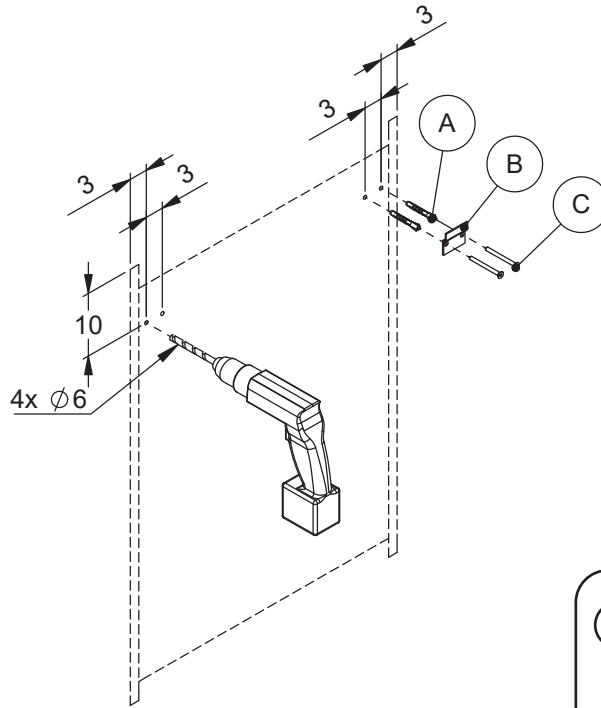
2x  
545800043

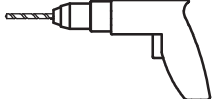

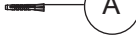



2x  
5228x1100

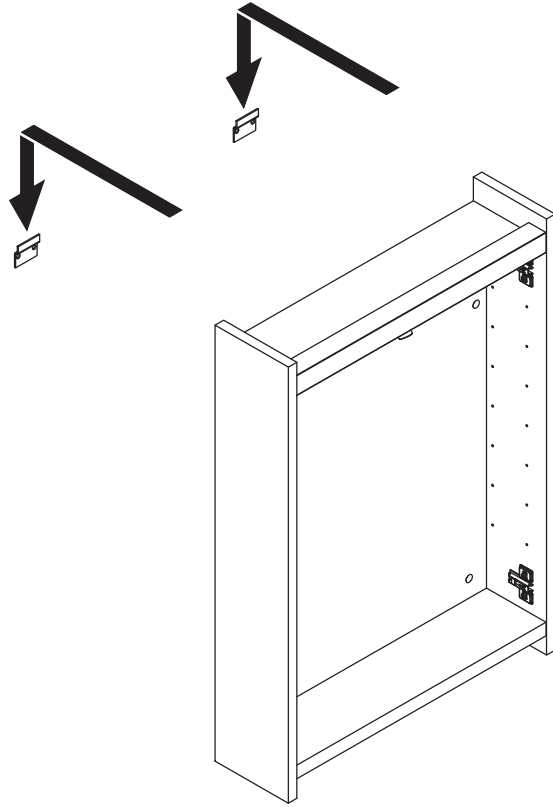
# 1

		
2x 5-500	2x 390010190	4x 5,0-60SU

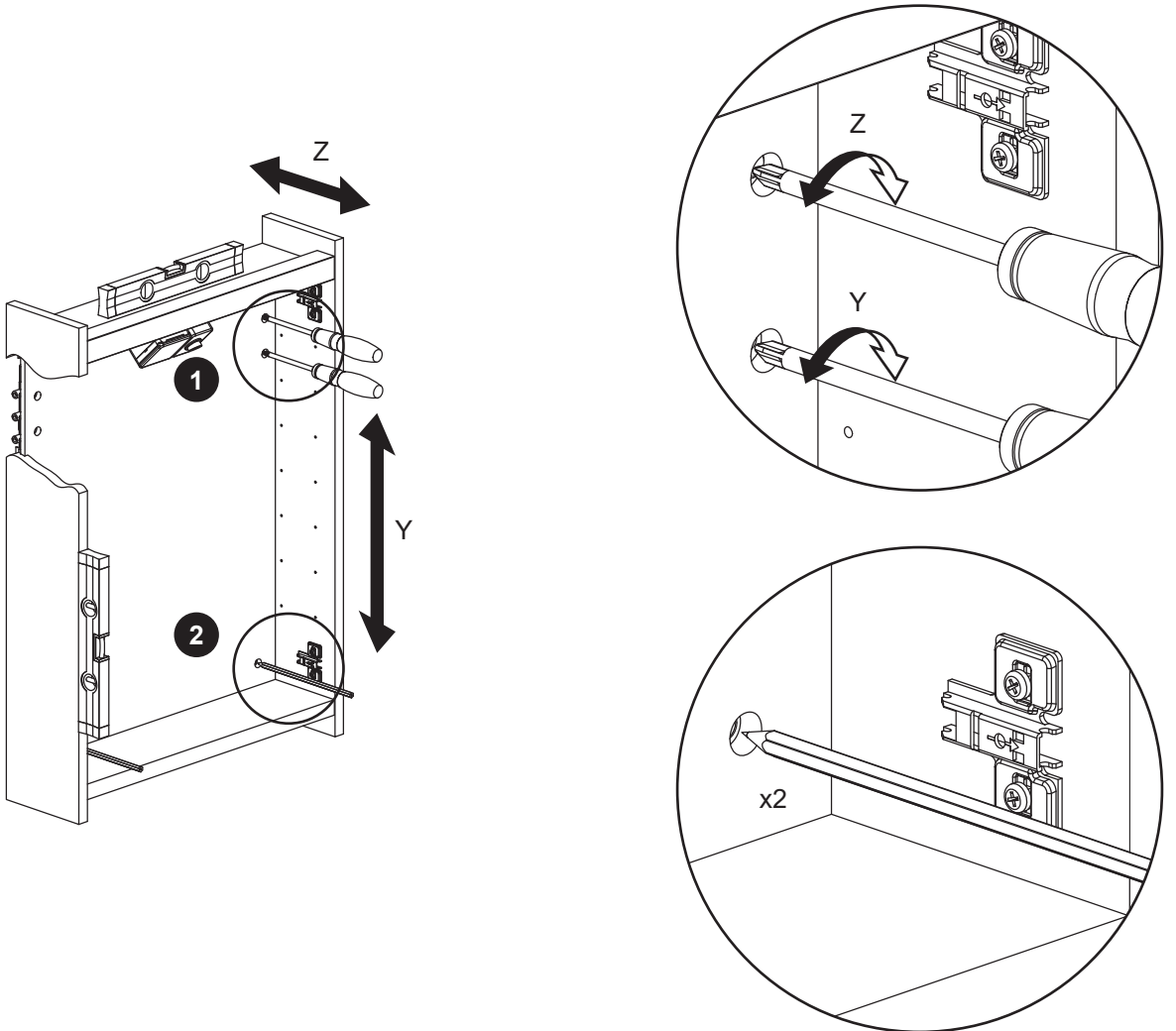


1	
2	 SILICONE
3	 A
4	 SILICONE

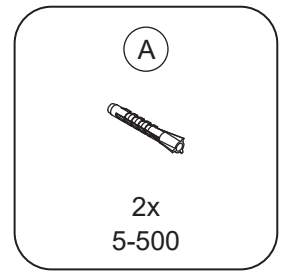
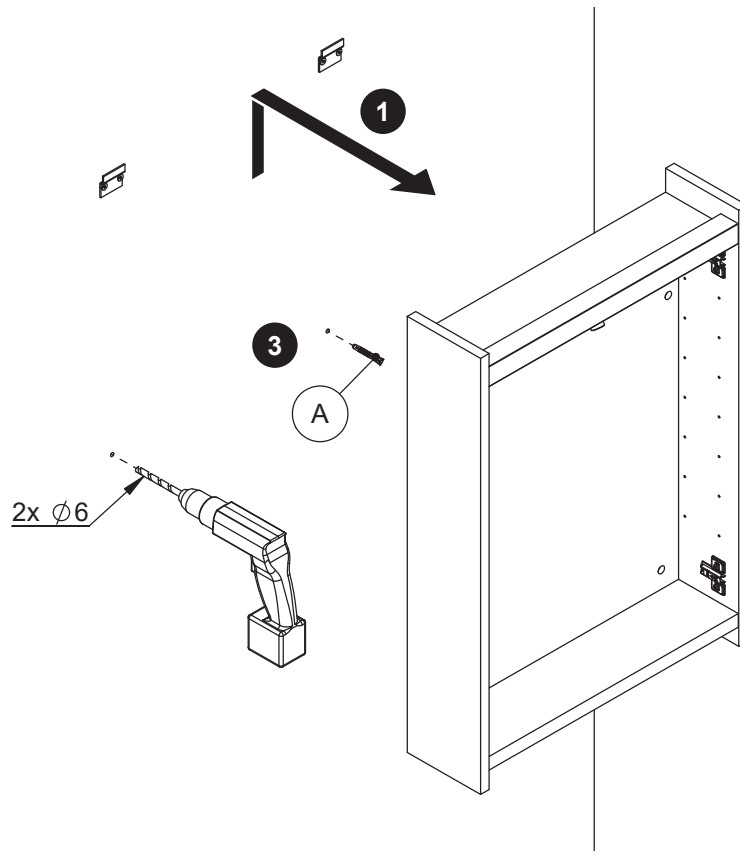
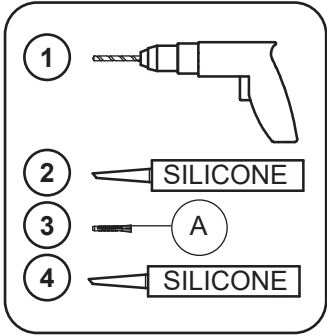
# 2



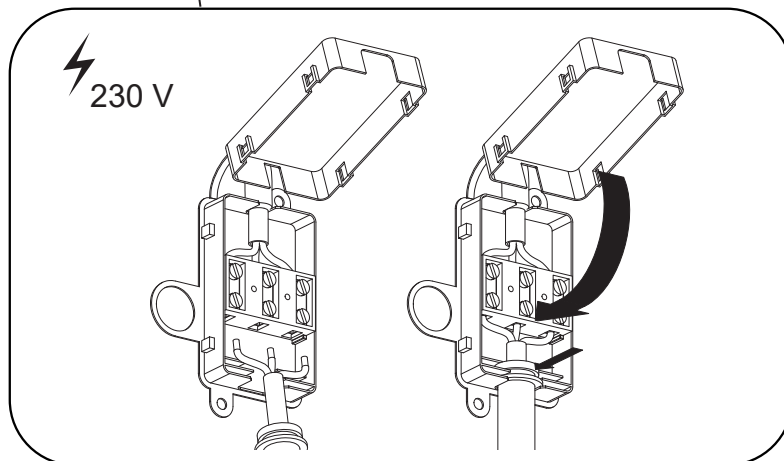
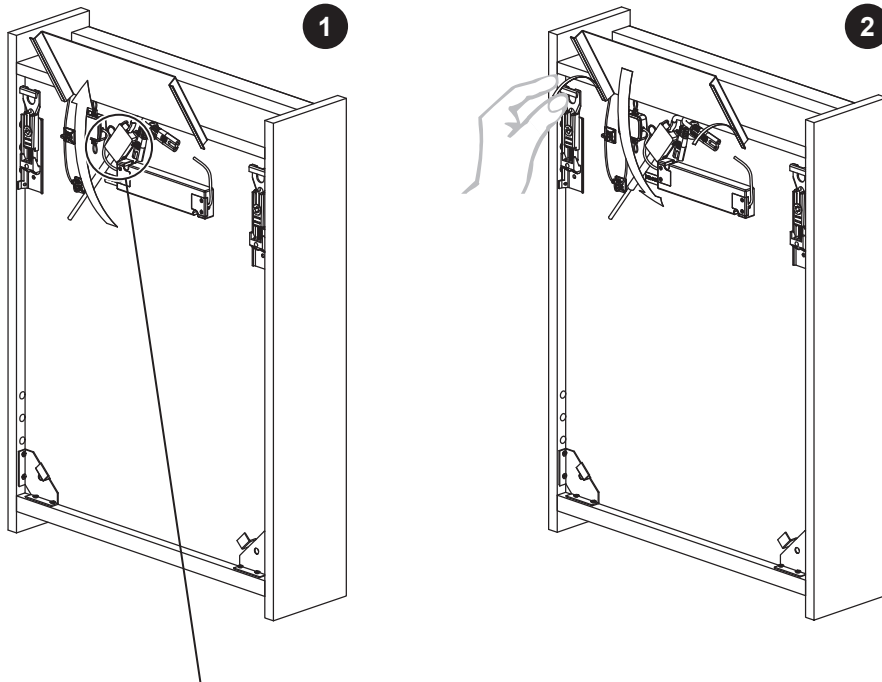
# 3



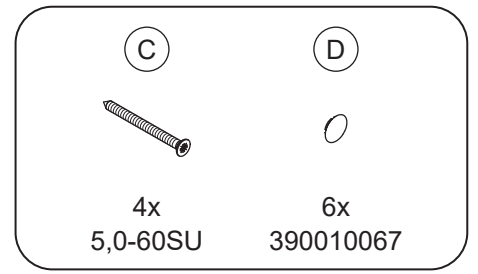
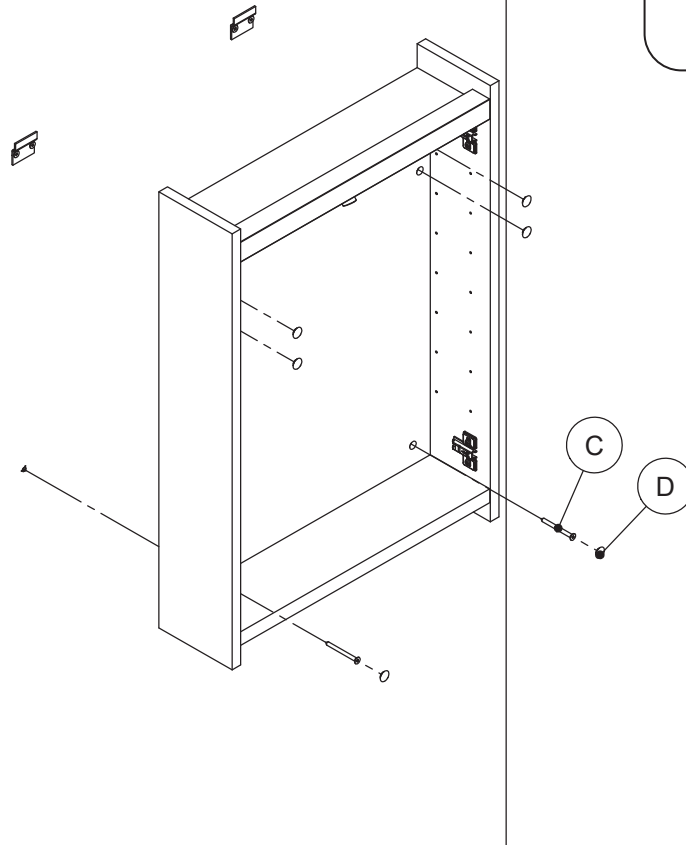
# 4



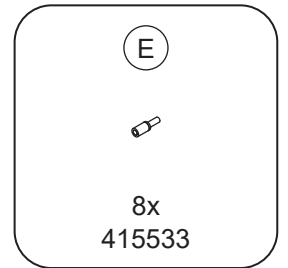
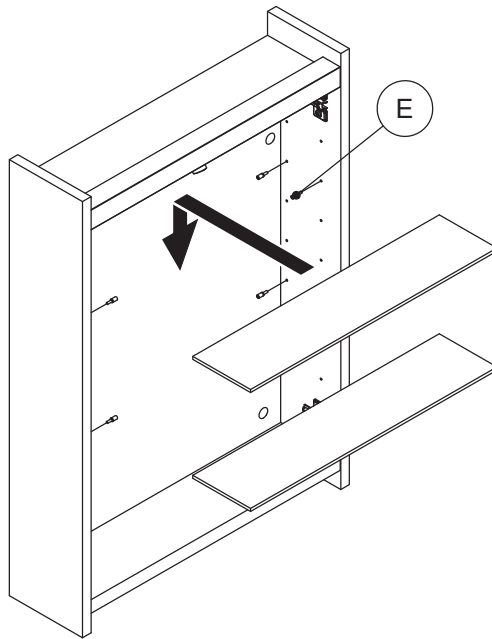
# 5

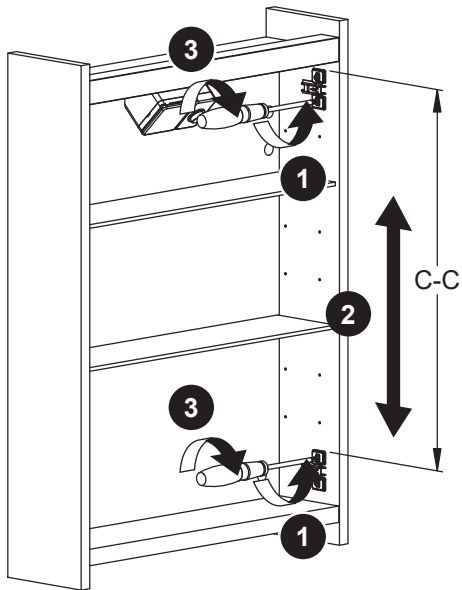
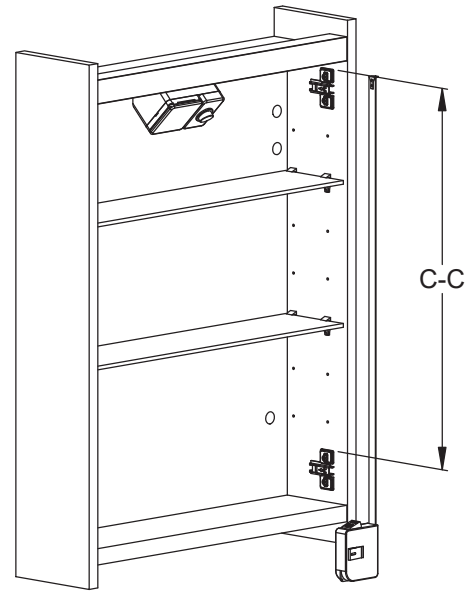
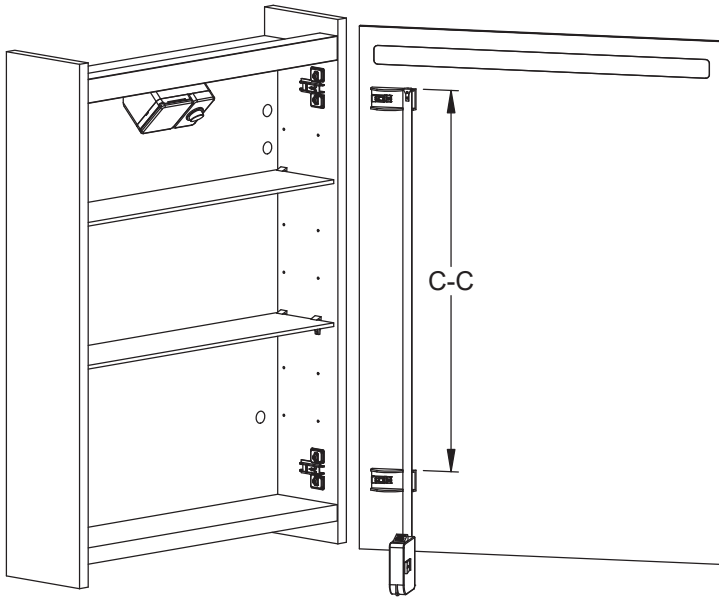


# 6

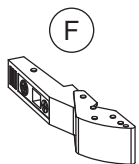


# 7





# 9



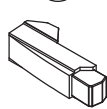
2x/4x  
190040240

(G)



2x/4x  
3,5-20SU

(H)



2x/4x  
190040631

(I)



2x/4x  
190040632

(J)



0x/2x  
390010110

(K)



2x/4x  
19500000

(L)



1x/2x  
545800043

